

PANZERI

Brooklyn Round

220-240V AC dimmable (DALI/Push DIM)

P23202.180.0402

● black



Data sheet

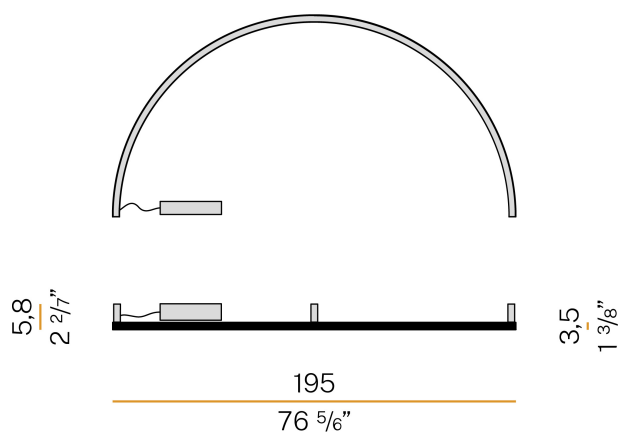
| | |
|----------------------------|--------------------------|
| CODE | P23202.180.0402 |
| SYSTEM POWER CONSUMPTION | 55W |
| EFFICACY | 53.9lm/W |
| LIGHT SOURCE | LED |
| LIGHT SOURCE LIFETIME | L80 (B20) 80.000h |
| COLOUR TEMPERATURE | 3000K Ra>90 |
| LIGHT DISTRIBUTION | diffused |
| POWER SUPPLY | 220-240V AC |
| FREQUENCY | 50/60Hz |
| ELECTRICAL CONFIGURATION | dimmable (DALI/Push DIM) |
| DRIVER | integrated included |
| NOMINAL LUMINOUS FLUX | 6840lm |
| LUMEN OUTPUT | 2965lm |
| EFFICIENCY | 43.3% |
| WEIGHT | 3,38 Kg |
| PROTECTION DEGREE | IP40 |
| COLOUR TOLLERANCES | SDCM 3 |
| GLOW WIRE TEST PERFORMANCE | 850° |
| PACKING DIMENSIONS | 12,0 x 202,0 x 106,0 cm |



Ceiling or wall lighting fixture for interiors, with direct light emission.
Bended extruded aluminium structure in white, black or mat brass polyacrylic paint.
Extruded polycarbonate diffuser with opaline finish.
Galvanized sheet metal end caps in polyacrylic paint.
Turned brass ceiling-fastening spacers in polyacrylic paint.



Technical drawing



Application



Polar diagram

