

AU REVOIR suspension

Matteo Ugolini design


ООО "Мастерская светотехники
8 800 100 39 72
8 495 727 14 91
9725087@masv.ru
http://masv.ru

year 2015

SE110 0B INT

TECHNICAL SHEET


STRUCTURE "A"

material	glass	
colour	white	

CEILING CUP "E"

material	glass	
colour	white	

ELECTRICAL CABLE "C"

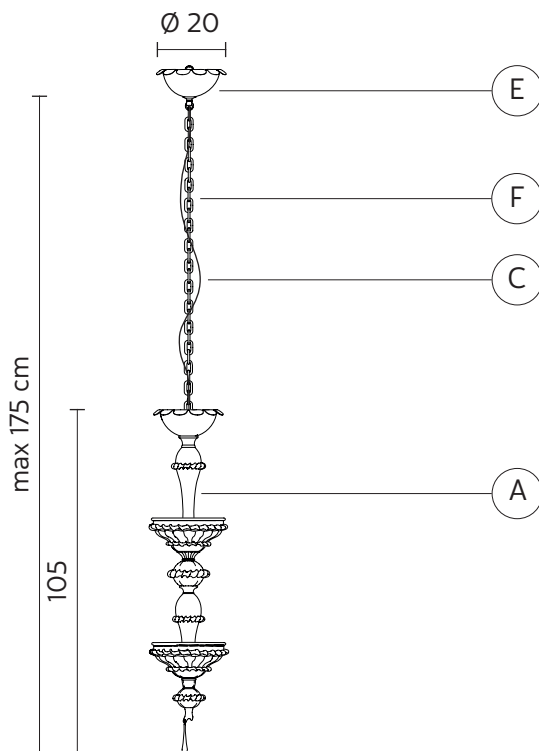
material	PVC	
colour	transparent	

SUSPENSION CHAIN "F"

material	steel	
----------	-------	--


PACKAGING

nr.of collis	1
net weight/kg	6,95
gross weight/kg	7,6
packaging/cm	40x40x95



SE110 1B INT

STRUCTURE "A"

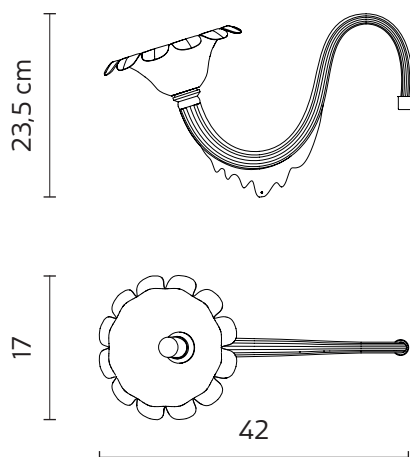
material	glass	
colour	white	

PACKAGING

net weight/kg	1,2
---------------	-----

ELECTRICAL SYSTEM

socket	E14
source	max 1x42w
energy class	from E to A++



SE110 2B INT

STRUCTURE "A"

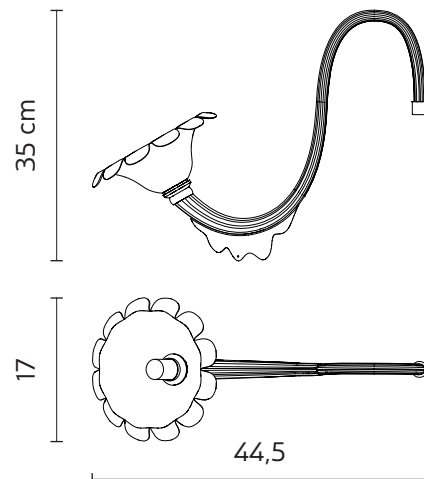
material	glass	
colour	white	

PACKAGING

net weight/kg	1,25
---------------	------

ELECTRICAL SYSTEM

socket	E14
source	max 1x42w
energy class	from E to A++



AU REVOIR suspension

Matteo Ugolini design

year 2015

SE110 3B INT

STRUCTURE "A"

material glass
colour white

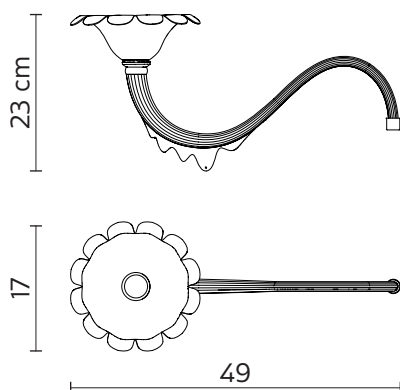


PACKAGING

net weight/kg 1,2

ELECTRICAL SYSTEM

socket E14
source max 1x42w
energy class from E to A++



SE110 4B INT - TECHNICAL SHEET

STRUCTURE "A"

material glass
colour white

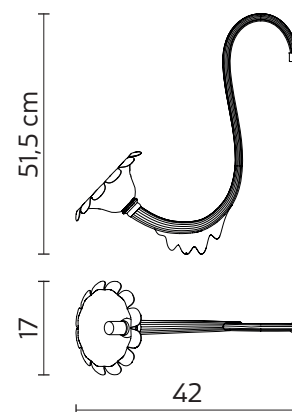


PACKAGING

net weight/kg 1,35

ELECTRICAL SYSTEM

socket E14
source max 1x42w
energy class from E to A++



SE110 5B INT

STRUCTURE "A"

material glass
colour white

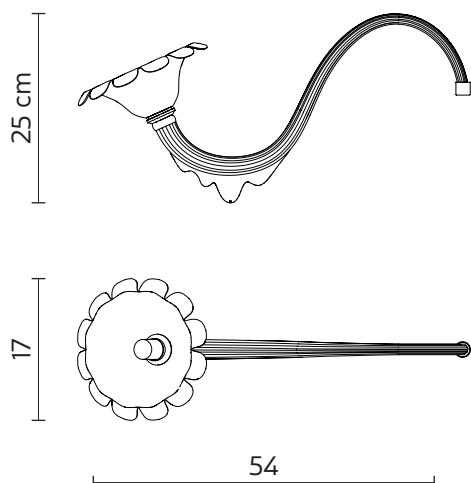


PACKAGING

net weight/kg 1,25

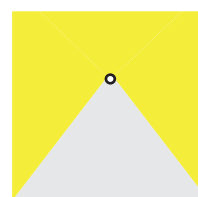
ELECTRICAL SYSTEM

socket E14
source max 1x42w
energy class from E to A++



EMISSION OF LIGHT

unidirectional



direct
filtered
indirect
none

CERTIFICATION

IEC 60598-1:2008
EN 60598-1:2008 + A11:2009



ip rate
bulb

IP20
optional



code **700C**
decorative bulb
E14 - 30w - ≤60 lumen
class E

AU REVOIR suspension

Matteo Ugolini design

year 2015

AC110 1B INT

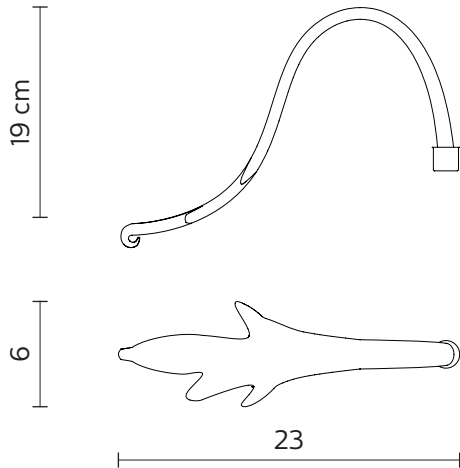
STRUCTURE "A"

material glass
colour white



PACKAGING

net weight/kg 0,2



AC110 2B INT

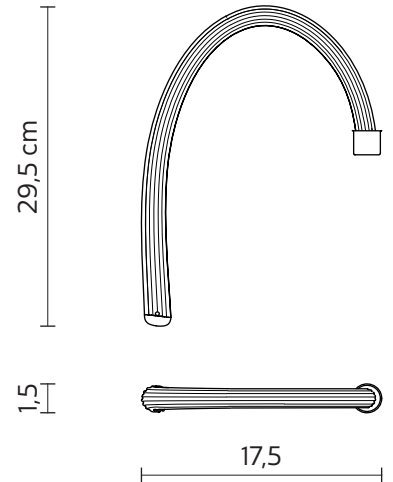
STRUCTURE "A"

material glass
colour white



PACKAGING

net weight/kg 0,15



AC110 3B INT

STRUCTURE "A"

material glass
colour white



PACKAGING

net weight/kg 0,02

