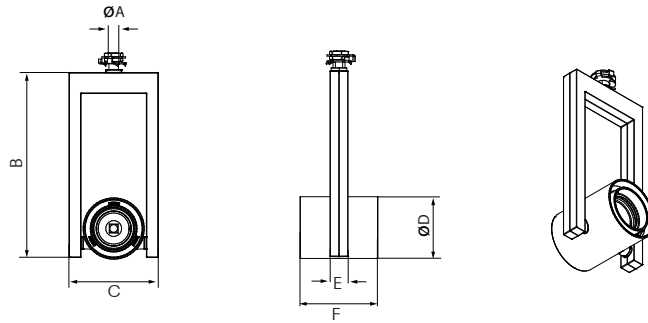


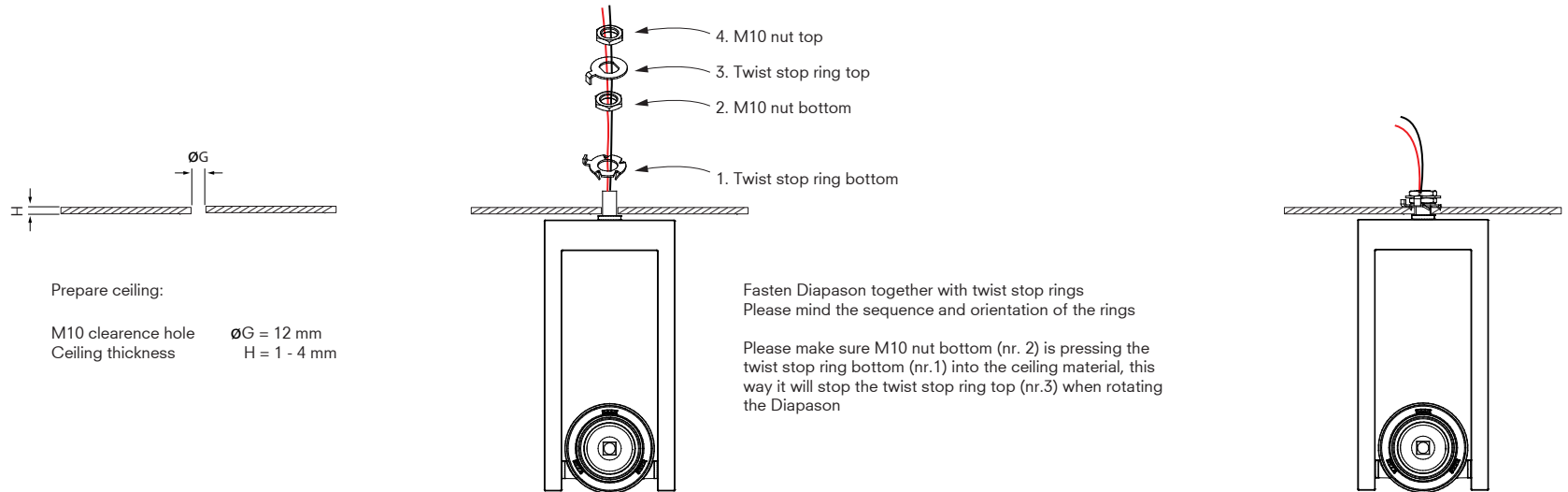
Technics



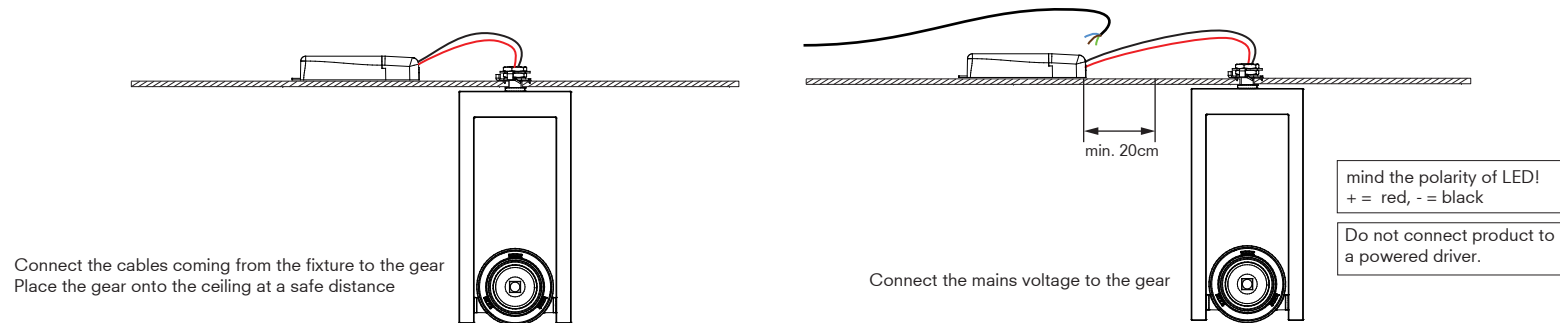
Name	Reference	Current	ØA	B	C	ØD	E	F
Diapason 80 M10	KR91660x	500 mA	M10	155	75	51	15	65
Diapason 120 M10	KR92660x	700 mA	M10	180	130	95	15	65
Diapason 40 M10	KR90660x	700 mA	M10	130	45	33	15	65

Please make sure the main voltage is disconnected before proceeding!

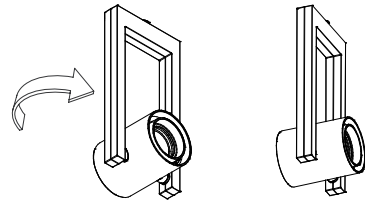
1 Dimensions



2 Installation

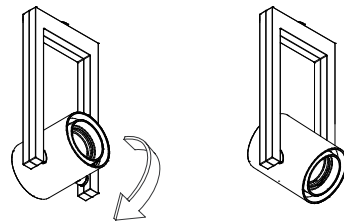


Installation



Installation

The diapason can rotate max. 355°



Installation

The light can be inclined max. 90°



3 Pictures