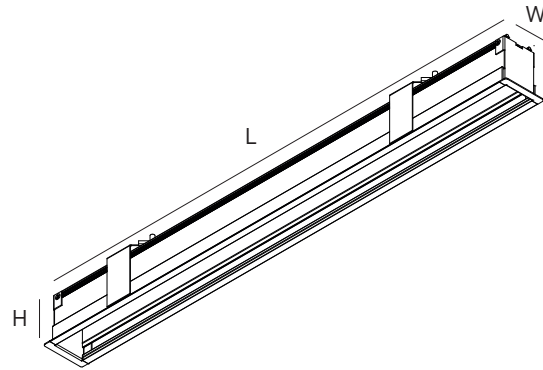
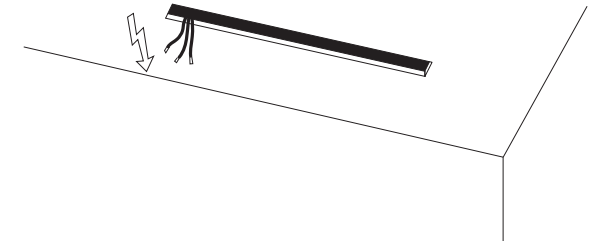
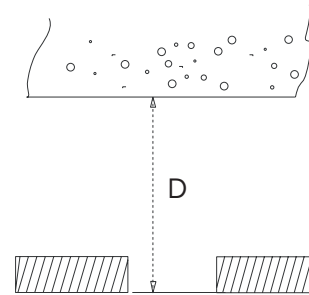
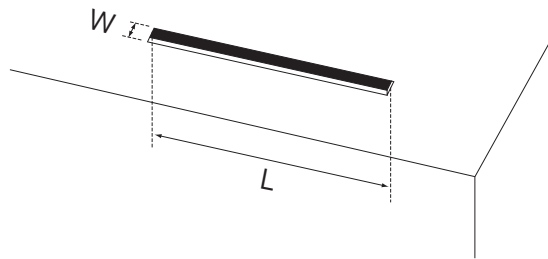


Name	Reference	L x W x H	cutout L x W x D
Nuit GEN2 trim plasterkit 1x5 1x10	KR75331x	758 x 58 x 82mm	758 x 58 x 100mm
Nuit GEN2 trim plasterkit 1x5 gear excl.	KR75330x	300 x 58 x 82mm	300 x 58 x 100mm



## 1 dimensions

Please make sure that mains voltage is disconnected before installing! ⚡

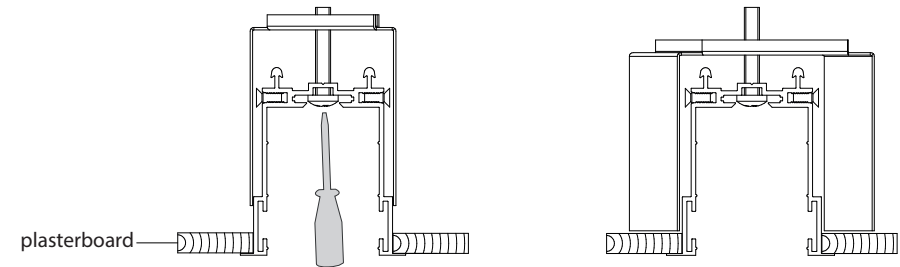
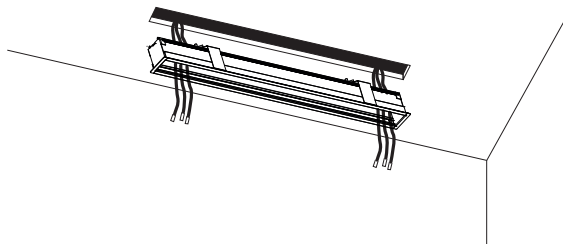


## 2 installation for dry plaster ceiling

make an accurate cutout in de plasterboard according to the given dimensions

plasterboard thickness: 9.5 - 22mm

supply correct power  
5-pole cable for DALI and 1-10V  
3-pole cable for ON/OFF and Phase dim



pull supply wires through both slots on the top of the plasterkit and push the plasterkit in the cutout

tighten screws on both sides of the profile until the profile is locked in place