

# HEATHFIELD & CO

## PRODUCT SPECIFICATION SHEET

### Table Lamp | ILULISAT

#### LAMP BASE

Material: Ceramic  
Finish shown: Layer  
Metalwork: Antique Brass  
Code: TL-ILUL-ABRS-LAYE

#### LAMPSHADE AS SHOWN

12" Flat Drum Teal Linen  
Shade code: SH-12-FLDR  
Shade lining: Gold PVC

#### FLEX

1.5 metres of Pearl twisted flex. Alternative colours can be specified from our collection.

#### SWITCHING & PLUG

White 13 AMP UK plug & inline switch.  
Alternative plug types available.

#### BASE WEIGHT

2.0 kg approx.

#### LAMPING

1 x E27 Lampholder - 60W max. LED bulb recommended.

#### WARRANTY

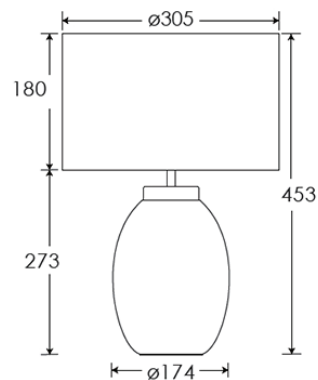
12 Months

#### FINISHING NOTE

The ceramic glazes that we have used on this lamp will create differences from piece to piece - variations in colour, formation and detailing. As such, it is part of the charm that no two products are exactly the same.

#### CLEANING INSTRUCTIONS

The finishes on this luminaire only require regular cleaning with a soft dry duster. Abrasive or chemical cleaners may harm the finish and should not be used. Shade to be dusted with a clean dry cloth.



Dimensions in mm and approximate

H&CO

Decorative lighting  
for beautiful spaces

[www.heathfield.co.uk](http://www.heathfield.co.uk) | + 44 (0) 1732 350450 | [sales@heathfield.co.uk](mailto:sales@heathfield.co.uk)

Unit 1, Priory Road, Tonbridge, Kent, TN9 2AF, United Kingdom