

hoverinfo@boverusa.com
www.boverusa.com**Slend - 03**

Name: Slend - 03

Design: Christophe Mathieu / 2014

Typology: Pendant lamp

Environment: Indoor

Technical description:

Spun aluminum pendant available in 3 different shapes, each with finish options of Brilliant Black, Brilliant White or Polished Aluminum. Copper lined aperture houses direct light source from LED lamp. Height adjustable cable in transparent for Polished Aluminum, white for Brilliant White fixtures or black for Brilliant Black fixtures.

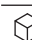


Lamps description

 Grounding: compulsory

 1 x 5 W GU10 LED


Voltage: 120V~60Hz

 1 Box 31.10 x 6.30 x 5.51 inches

Vol.: 0.6251 ft³

Weight: 6.61 lbs

Certifications:  

 Photometrics made according to the position the lights are shown in the catalogue and price list.

Ref Finishings

2560320064U Polished Aluminum
Chrome Canopy
Transparent Wire

2560320001U Brilliant White
White Canopy
White Wire

2560320023U Brilliant Black
Black Canopy
Black Wire

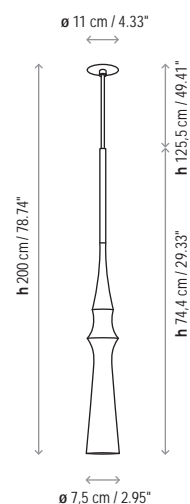
Special colors: RAL number to be indicated. Minimum quantity: 5 pieces.

Adjustable height by the user

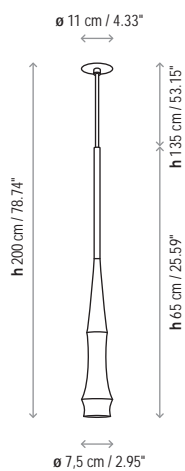
LED bulb included

Not Customizable

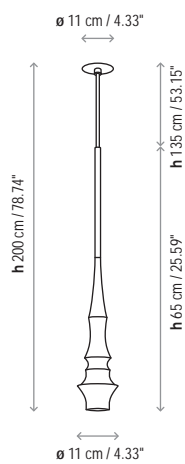
Measures



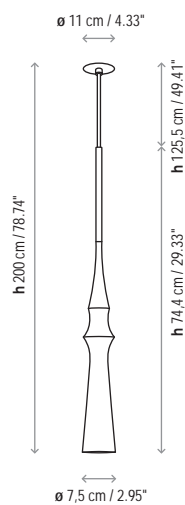
Slend - 01



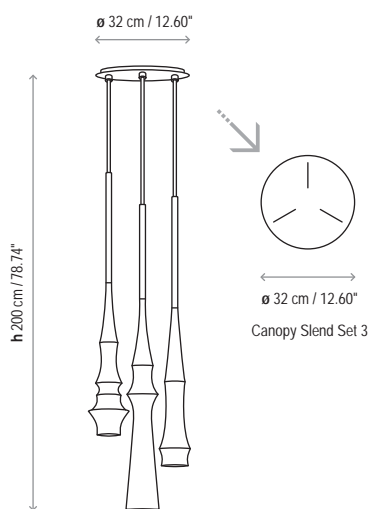
Slend - 02



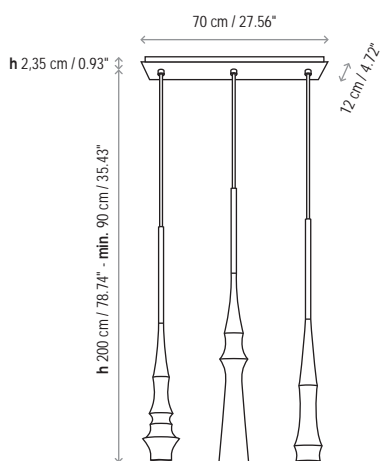
Slend - 03



Slend - Set 3 Round



Slend - Set 3 Lineal



Slend - Set 6

