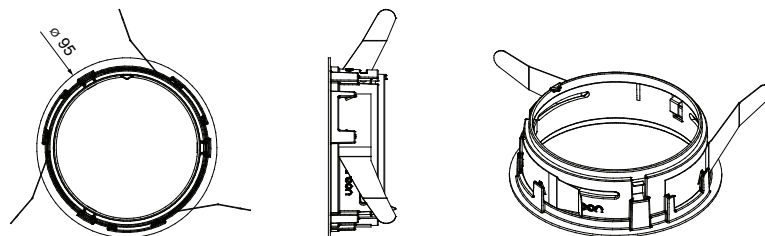
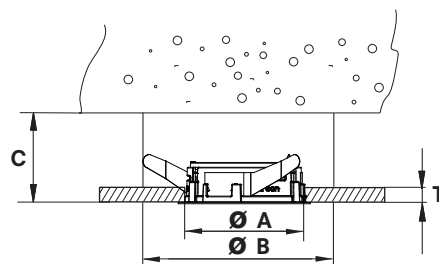
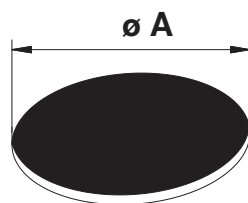


technics



Name	Reference
Installation kit with trim	KR71702x

1 dimensions

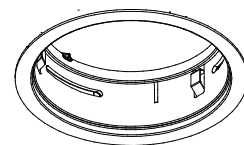
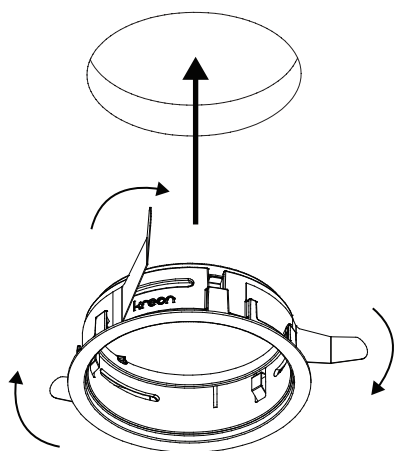


Minimum dimension for installation Diapason 40/ 80/ 120 base

Cut out	Ø A	Ø B	C _{min}	T _{min} -T _{max}
	90	150	70*	9-26

*In case of standard driver (KR772024/ KR772022/KR772122) which needs to be pushed through the plasterkit
 In case of driver placed at distance (doesn't need to be pushed through the plasterkit) C_{min} = 60
 In case of a different driver, the installation dept C_{min} = length of driver + 30 mm

2 cut out



Install Diapason 40/ 80/ 120 base according to installation manual KR8166002145

Fold springs inwards (anti-clockwise)
 Insert installation ring into ceiling

3 installation