

Heathfield&Co

Product Specification Sheet

WALL LIGHT | KOA SATIN BRASS



PRODUCT INFORMATION

Base Code: WL-KOA-SBRS-CLER

Material: Metal & Glass

Finish shown: Clear

Metalwork: Satin Brass

TECHNICAL INFORMATION

Weight: 1.5kg / 3.3lbs

Switching & Plug: Hardwired

Lamping: 1x G9 lampholder / 1x G9 US lampholder
25W max. LED lamps recommended.

Lamps not included

TOTAL HEIGHT: 470 mm / 18¹/₂"

TOTAL WIDTH: 140 mm / 5¹/₂"

PROJECTION: 190 mm / 7¹/₂"

UKCA / CE / WIRED USING US COMPONENTS

WARRANTY

LK H40AB

FINISHING NOTE

Our carefully selected glass and metalwork components are all hand finished by skilled artisans and as such no two products are exactly the same - something that adds to the unique charm of this product.

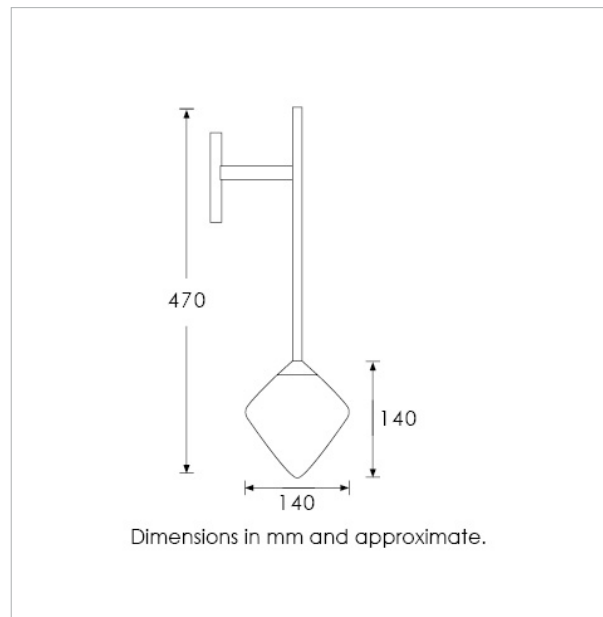
CLEANING INSTRUCTIONS

The finishes on this luminaire only require regular cleaning with a soft dry duster. Abrasive or chemical cleaners may harm the finish and should not be used.

FIXING NOTE

It is the buyer's responsibility to ensure that suitable fixings are used.

'%40B4 M54A C > DA) 4A< B'v '' >=388=B'5'A'5DAC74A
8-5-A< 008=-]



Dimensions in mm and approximate.

H&
CO

LIGHT BEYOND DESIGN

Heathfield&Co

Product Specification Sheet

WALL LIGHT | KOA BLACKENED BRONZE



PRODUCT INFORMATION

Base Code: WL-KOA0-BRNZ-SMOK

Material: Metal & Glass

Finish shown: Smoke

Metalwork: Blackened Bronze

TECHNICAL INFORMATION

Weight: 1.5kg / 3.3lbs

Switching & Plug: Hardwired

Lamping: 1x G9 lampholder / 1x G9 US lampholder
25W max. LED lamps recommended.

Lamps not included

TOTAL HEIGHT: 470 mm / 18^{1/2}"

TOTAL WIDTH: 140 mm / 5^{1/2}"

PROJECTION: 190 mm / 7^{1/2}"

UKCA / CE / WIRED USING US COMPONENTS

WARRANTY

LK H40AB

FINISHING NOTE

Our carefully selected glass and metalwork components are all hand finished by skilled artisans and as such no two products are exactly the same - something that adds to the unique charm of this product.

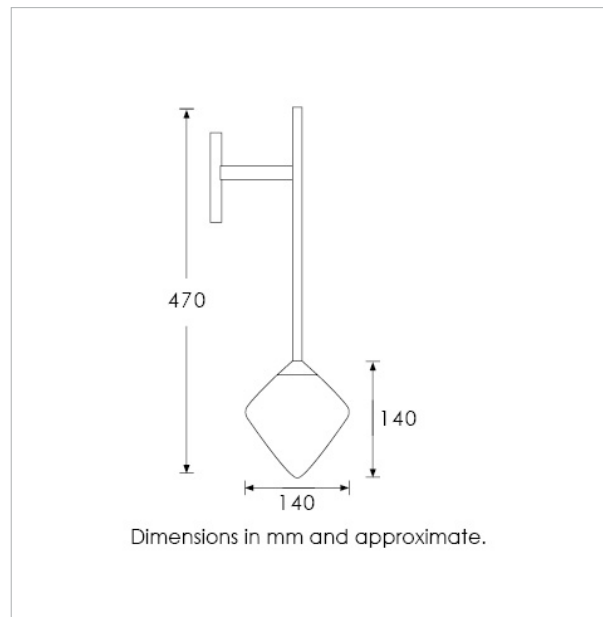
CLEANING INSTRUCTIONS

The finishes on this luminaire only require regular cleaning with a soft dry duster. Abrasive or chemical cleaners may harm the finish and should not be used.

FIXING NOTE

It is the buyer's responsibility to ensure that suitable fixings are used.

'%40B4 M54A C > DA) 4A< B'v '' >=388=B'5'A'5DAC74A
8-5-A< 008=-]



H&C
CO

LIGHT BEYOND DESIGN