

# Stratos

Design by Stéphane Joyeux



# Stratos

IP44  
Class 1

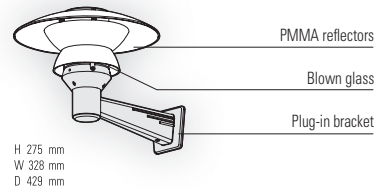
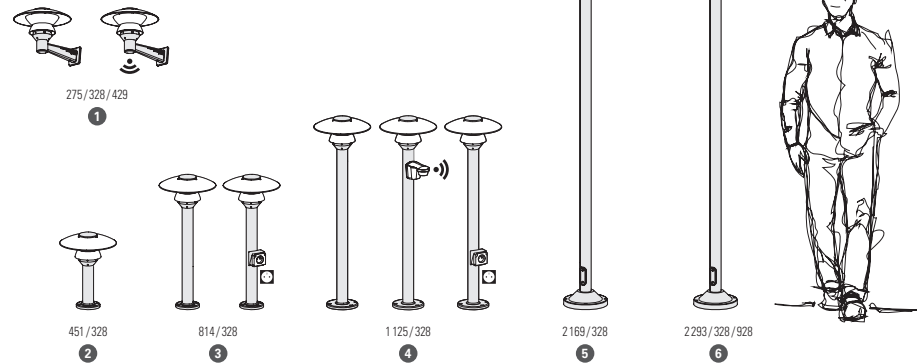
Aluminium  
Frosted glass inner diffuser  
PMMA reflectors

## SOURCE

E27 - 70W max Ø66 mm - H 180 mm max

## MODELS

height / width / depth



## REFERENCES

Replace ●●● with the colour code / replace ● with the country's electrical socket code

MODELS	E27	E27 + SENSOR	SOCKET	SPARE INNER DIFFUSER	SPARE UPPER REFLECTOR
1	157 001 ●●●	157 002 ●●●		185 019 ●●●	185 077 606
2	157 003 ●●●			185 019 ●●●	185 077 606
3	157 004 ●●●		157 005 ●●● (●)	185 019 ●●●	185 077 606
4	157 006 ●●●	157 007 ●●●	157 008 ●●● (●)	185 019 ●●●	185 077 606
5	157 009 ●●●			185 019 ●●●	185 077 606
6	157 010 ●●●			185 019 ●●●	185 077 606

## COLOURS CODES

Replace ●●● with the colour code →

	RAL 7021 BLACK GREY 107		RAL 3013 TOMATO RED 110
	DARK GREY 006		RAL 5011 STEEL BLUE 065
	METAL GREY 023		RAL 6025 FERN GREEN 109
	RAL 9010 PURE WHITE 101		OLD RUSTIC 046

Other colours on request

## SOCKETS CODES

Except for French socket, replace ● with country's socket code →

	SCHUKO SOCKET SK type F		SWISS SOCKET CH type J
--	-------------------------	--	------------------------

## MOUNTING

Wiring entry points in grey  
Fixing kit included

