

PATRIZIAGARGANTI

Firenze


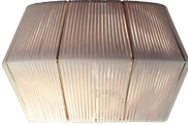



BESPOKE LIGHTING DESIGN

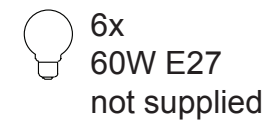
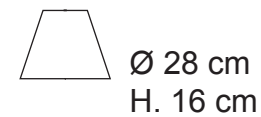
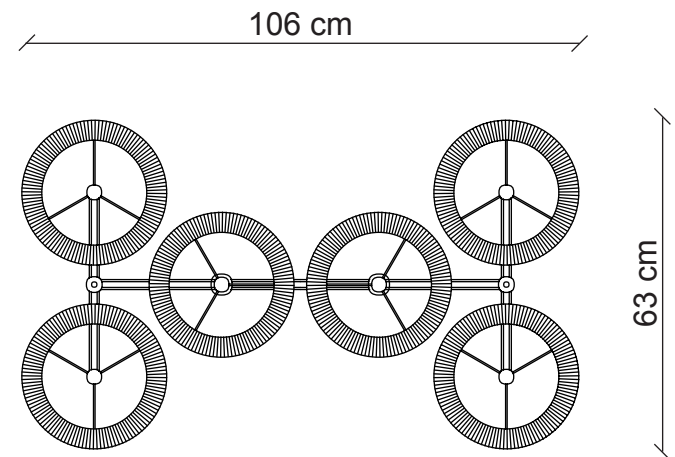
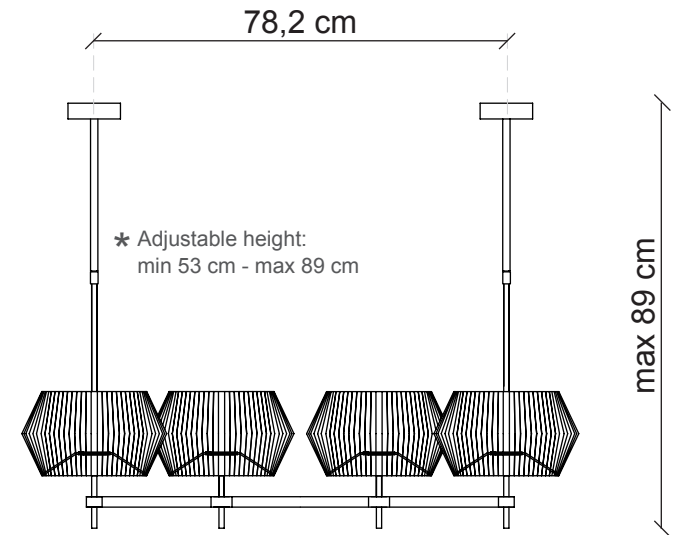
Bespoke Lighting Design 02

design Roberto Lazzeroni

Novecento collection

6 lights Suspension

Finish suspension structure	Lampshade versions	
 brown leather	 white string	
 satin nickel	N02N1	N02N3
 satin brass	N02O1	N02O3
 antiqued silver plated	N02A1	N02A3



Kg 8,4
m³ 1,09