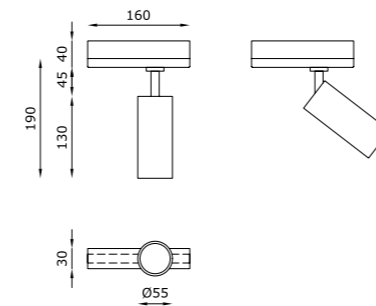
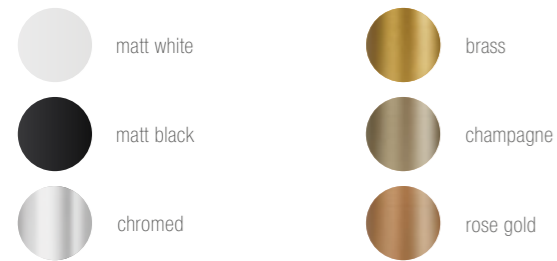


# Q4 220V



## CODE COMPOSITION

T220 L 00008		0	
<i>dimmiability</i>			
<b>ND</b>	non dimmable		
<b>DA</b>	DALI		
<i>light colour</i>			
<b>27</b>	2700K		
<b>30</b>	3000K		
<i>lens</i>			
<b>14</b>	14°		
<b>34</b>	34°		
<b>55</b>	55°		
<i>finishing</i>			
<b>W1</b>	white		
<b>B1</b>	black		
<b>CP</b>	chromed		
<b>BR</b>	brass		
<b>A1</b>	champagne		
<b>A2</b>	rose gold		

example of code composition T220 L 00008 **W1 14 27 ND 0**

## TECHNICAL FEATURES

<b>Code</b>	<b>T220 L 00008 XX</b>
<b>Type</b>	Projector ± 360° / ± 90° 
<b>Material</b>	Aluminum
<b>Finishing</b>	White   Black   Chromed   Brass   Champagne   Rose Gold
<b>Weight</b>	0.5 Kg
<b>Mounting</b>	Track 220V
<b>IP rating</b>	IP40
<b>Insulation class</b>	III
<b>Control gear</b>	Electronic driver on board (included)
<b>Lamp type</b>	LED 
<b>Lamp wattage</b>	1 x 9W
<b>Luminous efficacy</b>	850 lm - 3000K
<b>Light distribution</b>	Beam 34° Beam 14°   55° (on request)
<b>Light colour</b>	White 3000K White 2700K (on request)
<b>Voltage connection</b>	220-240V · 50/60Hz
<b>CRI</b>	>90
<b>Emergency</b>	-
<b>Note</b>	A new breakthrough in luminaire design. Track adapter with built-in LED driver. Driver concealed into track.  Black tige for Q4 220V chromed, brass, champagne and rose gold.

Proiettore per binario 220V con sorgente luminosa a LED (COB) CRI 90, 3000K (2700K su richiesta) alimentata in corrente continua con convertitore a scomparsa collocato all'interno dell'adattatore del prodotto.

Q4 220V è un apparecchio per interni che garantisce il minimo impatto visivo, completamente orientabile a 360°, è disponibile in più varianti ottiche. Proiettore ad alte performance in alluminio verniciato a polvere disponibile in diverse finiture: bianco, nero, cromo, brass, champagne e rose gold.

Projector for 220V track for LED (COB) CRI 90, 3000K (2700K light source on request) supplied in direct current with recessed convertor located inside the product's adaptor.

Q4 220V is a light fitting for interiors which guarantees minimum visual impact, completely adjustable at 360°; it is available in a variety of optics. High performance projector in powdered varnish aluminium available in various finishes: black, white, chromed, brass, champagne and rose gold.