

# Heathfield&Co

## Product Specification Sheet

WALL LIGHT | ONA LARGE IVORY



### PRODUCT INFORMATION

Base Code: WL-ONA0-IVOR-SMOA-00L

Material: Ceramic, Wood & Glass

Finish shown: Ivory

### TECHNICAL INFORMATION

Weight: 0.6kg / 1.3lbs

Switching & Plug: Hardwired

Lamping: 1x G9 lampholder / 1x G9 US lampholder

25W max. LED lamps recommended.

Lamps not included

TOTAL HEIGHT: 260 mm / 10<sup>1</sup>/<sub>4</sub>"

TOTAL WIDTH: 260 mm / 10<sup>1</sup>/<sub>4</sub>"

PROJECTION: 150 mm / 6"

UKCA / CE / WIRED USING US COMPONENTS

### WARRANTY

10 years\*

### FINISHING NOTE

The ceramic glazes that we have used on this lamp will create differences from piece to piece - variations in colour, formation and detailing. As such, it is part of the charm that no two products are exactly the same.

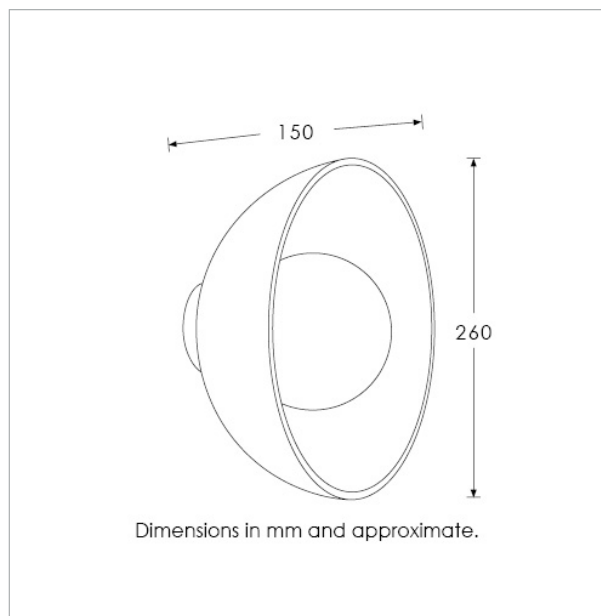
### CLEANING INSTRUCTIONS

The finishes on this luminaire only require regular cleaning with a soft dry duster. Abrasive or chemical cleaners may harm the finish and should not be used.

### FIXING NOTE

It is the buyer's responsibility to ensure that suitable fixings are used.

\*Please refer to our Terms & Conditions for further information.



H&  
CO

LIGHT BEYOND DESIGN

# Heathfield&Co

## Product Specification Sheet

WALL LIGHT | ONA LARGE OLIVE



### PRODUCT INFORMATION

Base Code: WL-ONA0-OLIV-SMOA-00L

Material: Ceramic, Wood & Glass

Finish shown: Olive

### TECHNICAL INFORMATION

Weight: 0.6kg / 1.3lbs

Switching & Plug: Hardwired

Lamping: 1x G9 lampholder / 1x G9 US lampholder

25W max. LED lamps recommended.

Lamps not included

TOTAL HEIGHT: 260 mm / 10<sup>1</sup>/<sub>4</sub>"

TOTAL WIDTH: 260 mm / 10<sup>1</sup>/<sub>4</sub>"

PROJECTION: 150 mm / 6"

UKCA / CE / WIRED USING US COMPONENTS

### WARRANTY

10 years\*

### FINISHING NOTE

The ceramic glazes that we have used on this lamp will create differences from piece to piece - variations in colour, formation and detailing. As such, it is part of the charm that no two products are exactly the same.

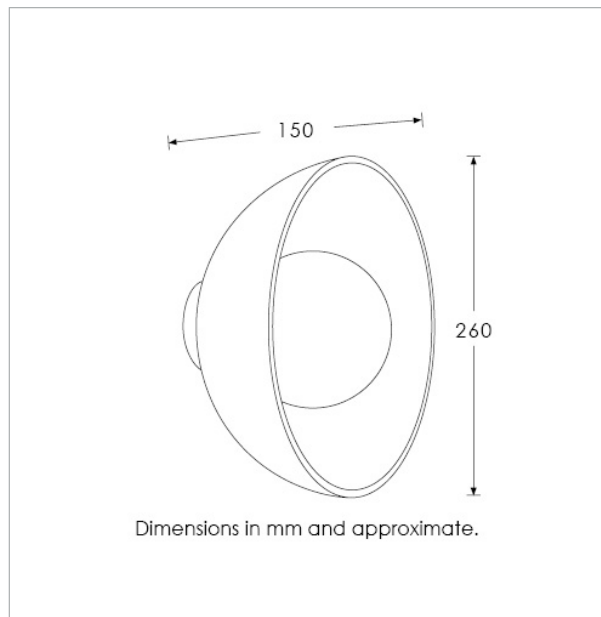
### CLEANING INSTRUCTIONS

The finishes on this luminaire only require regular cleaning with a soft dry duster. Abrasive or chemical cleaners may harm the finish and should not be used.

### FIXING NOTE

It is the buyer's responsibility to ensure that suitable fixings are used.

\*Please refer to our Terms & Conditions for further information.



H&  
CO

LIGHT BEYOND DESIGN