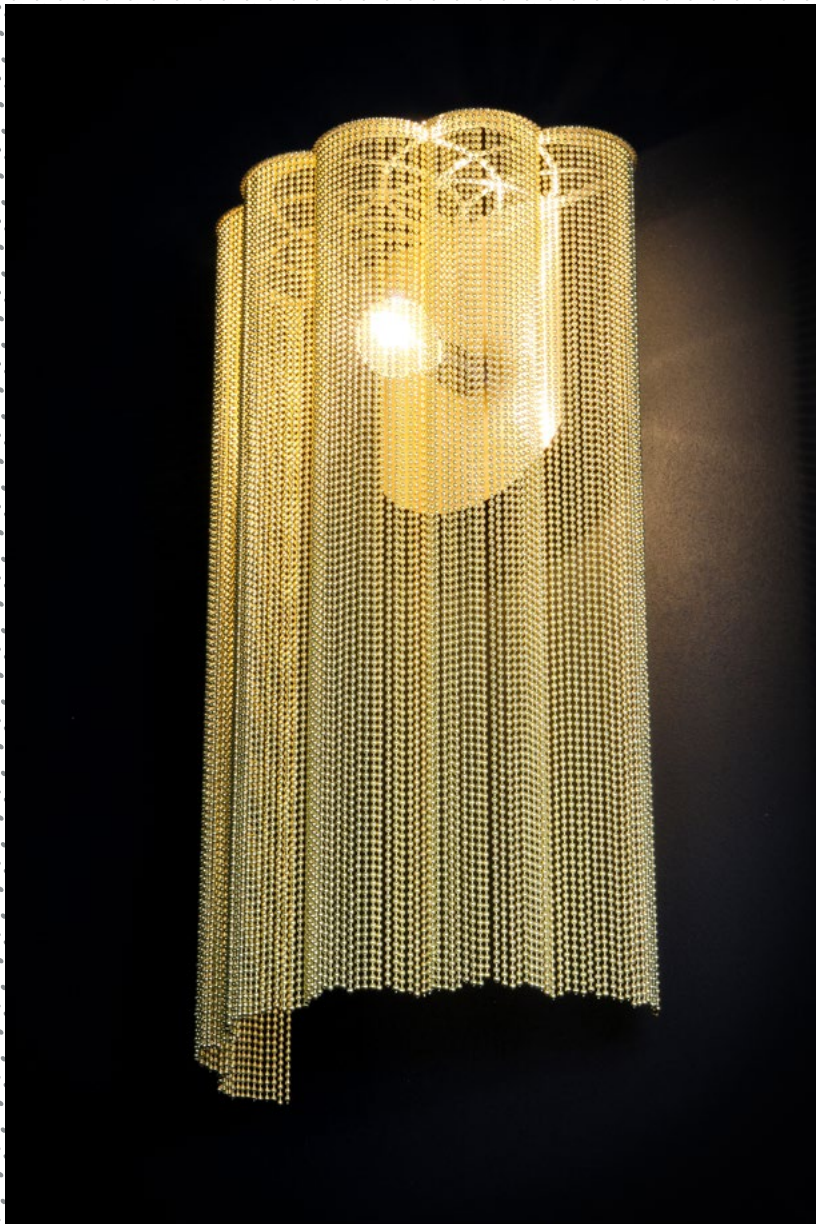


SIMPLE LAMPS | SCALLOPED CROPPED - WALL SCONCE - 280 | SCA-CRO-280-WS



DESCRIPTION

An addition to our 'Scalloped Cropped' family. This simple elegant wall-sconce based on a metal frame folded in half at 90 degrees. The pattern of the frame above will cast dramatic shadows on the wall above. Illuminated by 1x G9 Halogen/LED bulb within handmade clear or sandblasted pyrex glass ball with OR by 1x E12/14 or E26/E27 vintage style LED bulb.

PRODUCT SIZE

SHADE SIZE: 280 X 180W MM / TOTAL HEIGHT: 500MM

PACKAGING DIMENSIONS

440MM(W) X 440MM(L) X 330MM(H)



LAMP TYPE & NO

1 X G9-HALOGEN 18-40 WATT LAMPS (40W) OR 1X G9-2.5W LEDS. OR 1 X E12/14 OR E26/27 LED

CLASS II

IP RATING 20

QC RATING 21



VOLTAGE RANGE

110-240V

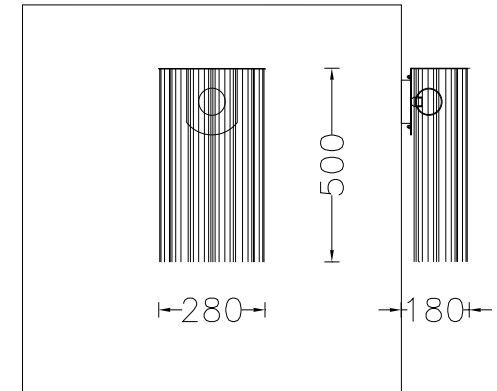
PRODUCT MARKS & RATINGS



WEIGHT 2KG

PACKED 5KG WEIGHT

TECHNICAL DRAWING



INTERACT

SELECT COLOUR

- SILVER *
- BRASS *
- COPPER *
- SMOKE *
- MIXED METALIC *
- RUST *
- WHITE
- RED
- BLACK

* METALLIC

CUSTOMISE DIMENSIONS

A

B

LAMP TYPE

QUANTITY

ADDITIONAL COMMENTS

WEB LINK