

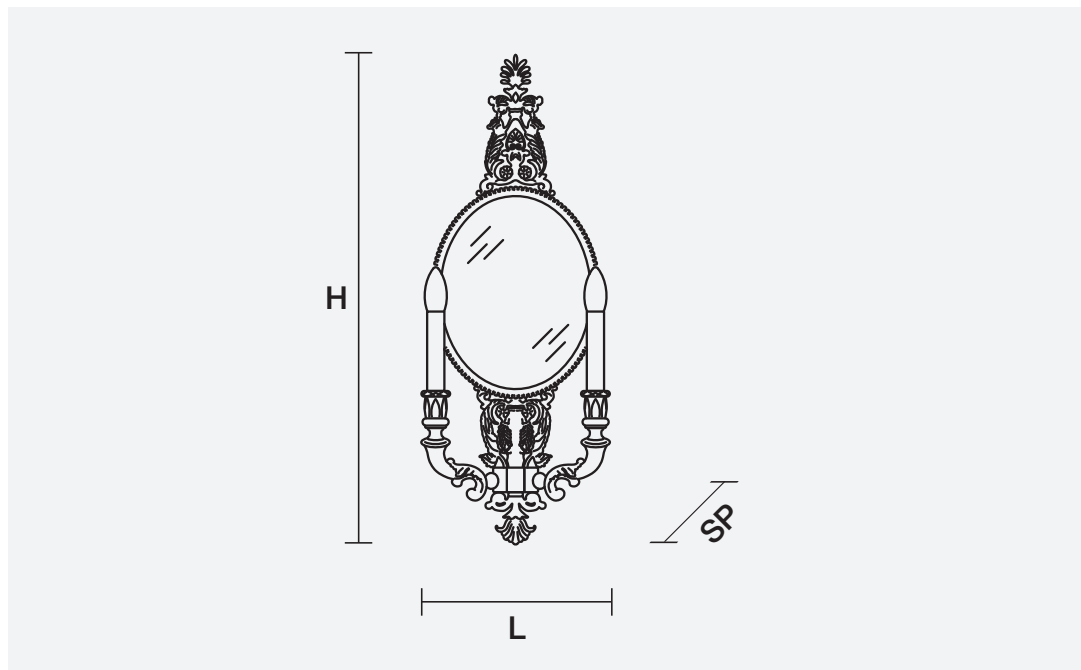
BRASS & SPOTS VE 1077 A2

Design by: Studio Stile Masiero




Telaio in ottone dorato, paralumi in Shantung. Specchio Anticato Incluso.

Gold plated solid brass frame, Shantung lampshades. Aged Mirror Included.



H	60 cm 23.70"
L	22 cm 8.66"
SP	12 cm 4.72"

 2 x E14 x 40W max
Incandescenza/Incandescent



MATERIALI MATERIALS

CUT CRYSTAL

Pendagli in cristallo trasparente molato.

Pendants in transparent cut crystal.

SWAROVSKI® ELEMENTS

Pendagli in cristallo trasparente SWAROVSKI® ELEMENTS.

Pendants in transparent SWAROVSKI® ELEMENTS crystal.

HALF CUT GLASS

Pendagli in vetro semi-molato.

Half cut glass pendants.