

# AMARCORD wall lamp

Matteo Ugolini design

year 2018

DATA SHEET - **AP121 BS INT**

## BASE "A"

material  
colour

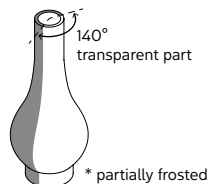
concrete  
white



## DIFFUSER "B"

material  
colour

glass  
frosted  
transparent\*



\* partially frosted

## ELECTRICAL SYSTEM

socket  
source  
energy class

E27  
1 x max 52W  
from E to A++

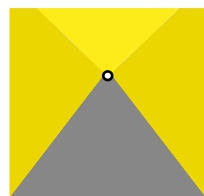
## PACKAGING

n° cartons  
net weight/kg  
gross weight/kg  
packaging/cm

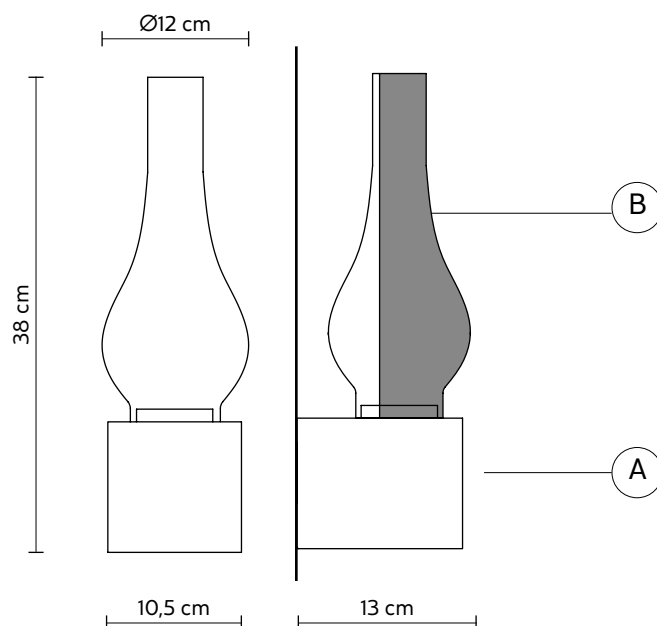
2  
2,2 (A+B)  
2,8 (A+B)  
21x21x20 (A) - 24x24x39 (B)

## LIGHT EMISSION

unidirectional



direct  
filtered  
indirect  
absence



## COMPLIANT WITH

IEC  
EN

60598-1:2014  
60598-1:2015



degree of protection  
bulb

IP20  
optional



article **700P\***  
tungsten filaments  
E27 - 25/40W ≤60lumen  
class E

**\*these items are special,  
decorative bulbs not for  
illumination purposes**

## COLLECTION

also available table lamp version



AP121 1B INT



AP121 BF INT



AP121 GT INT



AP121 1G INT



AP121 GS INT