

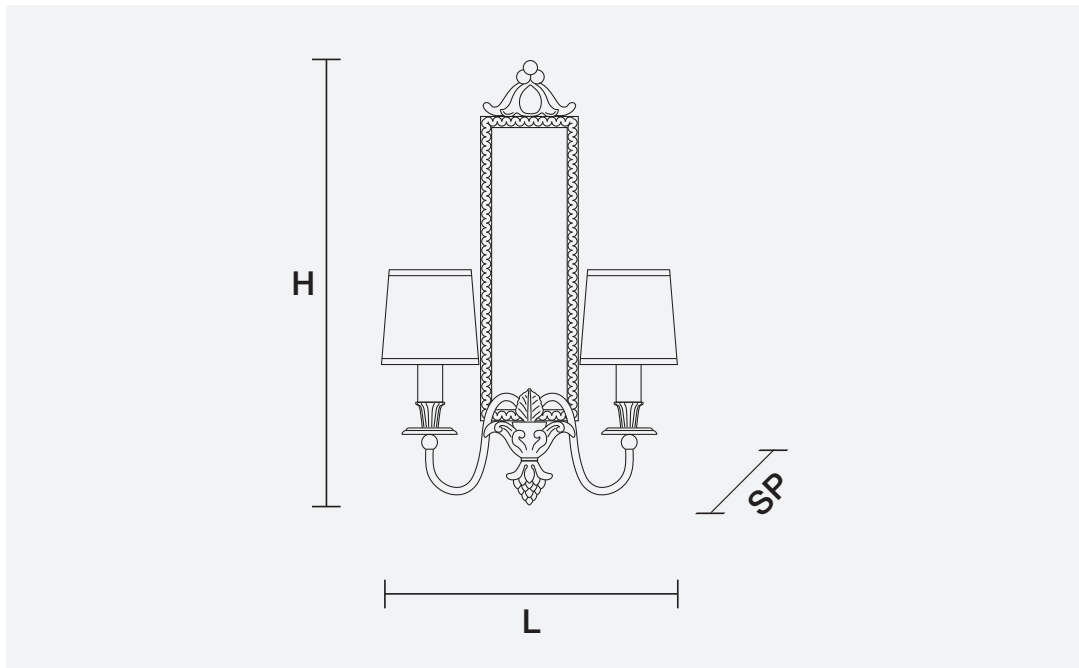
BRASS & SPOTS VE 1076 A2

Design by: Studio Stile Masiero




Telaio in ottone dorato, paralumi in Shantung. Specchio Anticato Incluso.

Gold plated solid brass frame, Shantung lampshades. Aged Mirror Included.



H	60 cm 23.70"
L	35 cm 13.80"
SP	18 cm 7.10"

 2 x E14 x 40W max
Incandescenza/Incandescent

Paralumi / shade (SHA/14/IV-WH)



MATERIALI MATERIALS

CUT CRYSTAL

Pendagli in cristallo trasparente molato.

Pendants in transparent cut crystal.

SWAROVSKI® ELEMENTS

Pendagli in cristallo trasparente SWAROVSKI® ELEMENTS.

Pendants in transparent SWAROVSKI® ELEMENTS crystal.

HALF CUT GLASS

Pendagli in vetro semi-molato.

Half cut glass pendants.