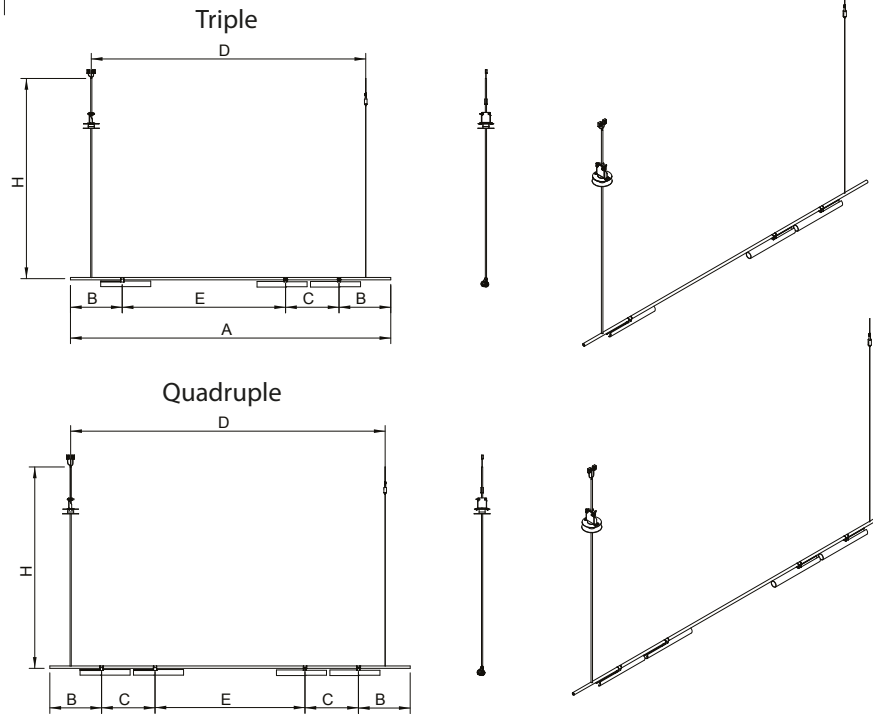


Technics



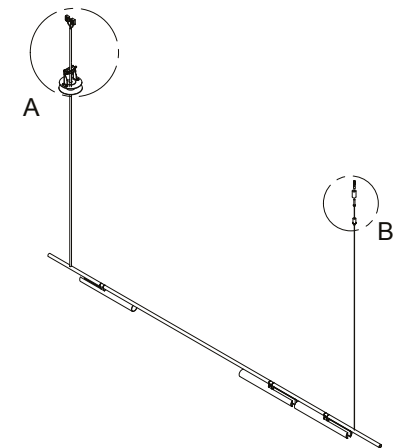
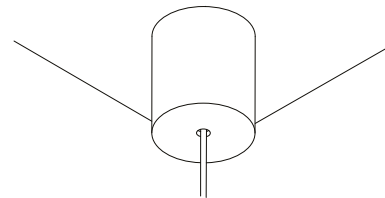
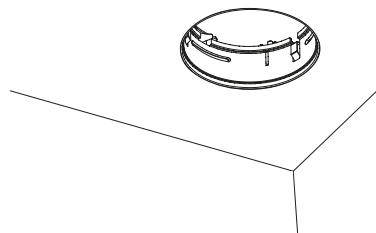
| Name | Reference | Current |
|-------------------------------|---------------|---------|
| esprit pendant 1600 triple | KR96373x-xxxx | 700 mA |
| esprit pendant 1800 triple | KR96383x-xxxx | 700 mA |
| esprit pendant 1800 quadruple | KR96384x-xxxx | 700 mA |
| esprit pendant 2400 quadruple | KR96394x-xxxx | 700 mA |

| Name | Reference | A | B | C | D (*) | E | H |
|-------------------------------|---------------|------|-------|-----|-------|------|------|
| esprit pendant 1600 triple | KR96373x-xxxx | 1600 | 258,5 | 267 | 1371 | 816 | 2500 |
| esprit pendant 1800 triple | KR96383x-xxxx | 1800 | 258,5 | 267 | 1571 | 1016 | 2500 |
| esprit pendant 1800 quadruple | KR96384x-xxxx | 1800 | 258,5 | 267 | 1571 | 749 | 2500 |
| esprit pendant 2400 quadruple | KR96394x-xxxx | 2400 | 258,5 | 267 | 2571 | 1349 | 2500 |

(*) Dimension D is the dimension between the two installation holes when the pending fixture is installed horizontal. In case of an angled installation see sheet 3 row 6 for further information.

1 Dimensions

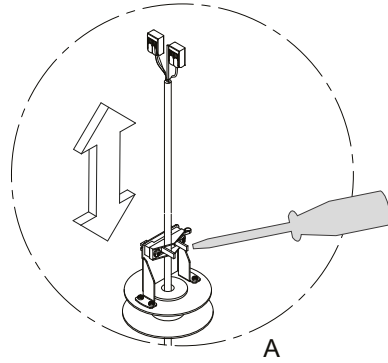
Please make sure the main voltage is disconnected before proceeding!



2 Installation

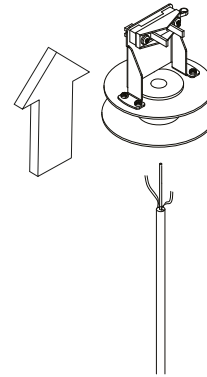
To install the plasterkit.
See installation manual KR8170001755.

To install the surface mounted connection box.
See installation manual KR8000002255.

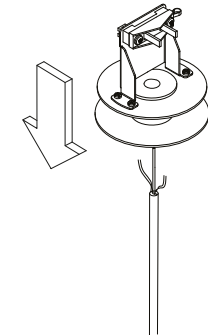


3 Installation

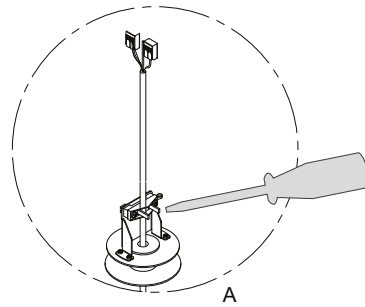
Unscrew the strain relief to adjust the height of the power supply.



In case of replacing the cover plate to change the color:
- remove the connectors and installation bracket from the power cable

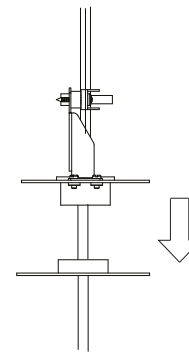


Replace the coverplate and re-assemble the installation bracket and connectors to the power cable.



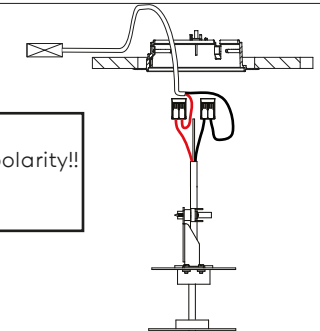
4 Installation

If the right coverplate is attached and the height is adjusted, screw back the strain relief.

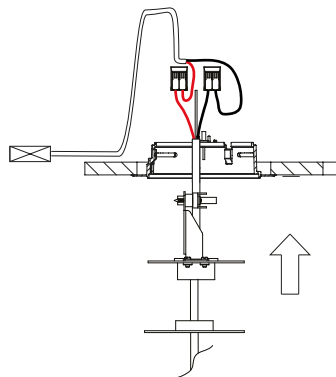


Detach coverplate with magnet from the installation plate.

Important:
always check the polarity!!
+ = red wire
- = black wire

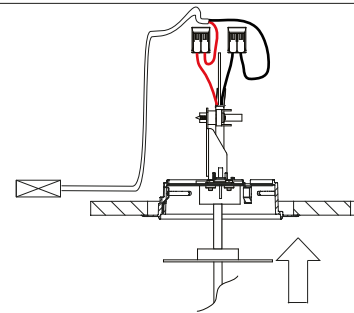


Install the correct gear with strain relief on the hollow ceiling. Make connection to the driver with the connection clips. Connect red to red and black to black.

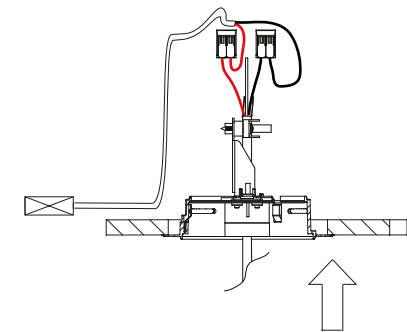


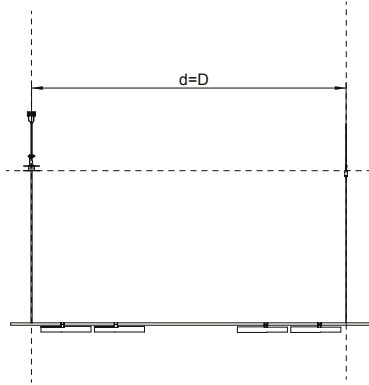
5 Installation

Put the assembly in the plasterkit.

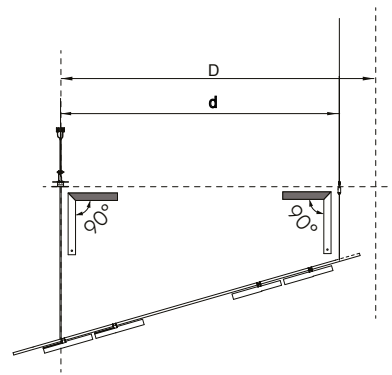


Attach coverplate with magnet to the installation plate.

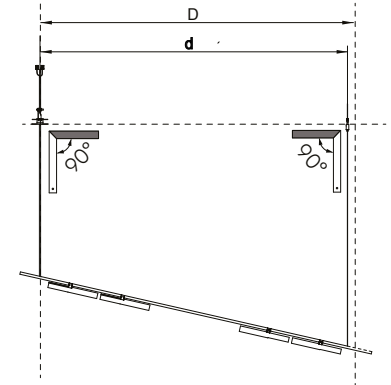




In case of horizontal installation $d=D$.

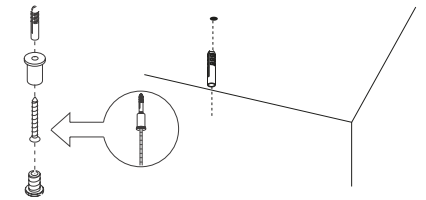
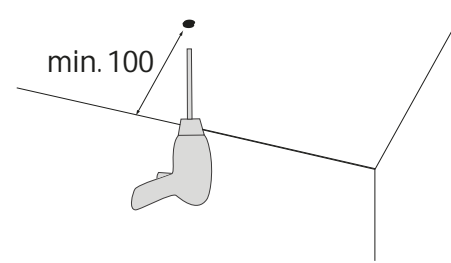
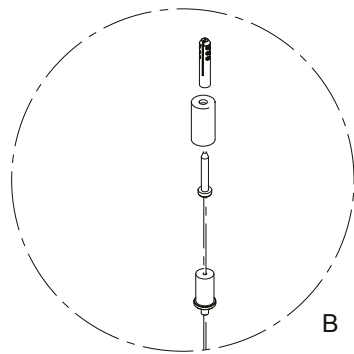


In case of an angled installation $d < D$. Use a Carpenter Square on site do define d



In case of an angled installation $d < D$. Use a Carpenter Square on site do define d

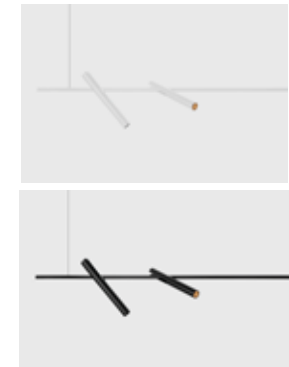
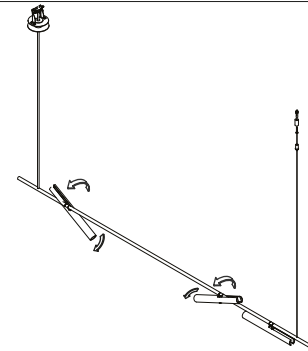
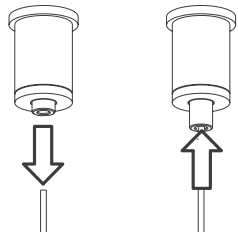
6 Installation



7 Installation

Drill hole for the plug add the desired position compared to the power supply.

Plugs and screws are not supplied, choose correct plugs and screws according to the material of the ceiling surface



Insert cable in the wire grip and adjust the height.

Aim the fixtures, 360° rotation and 90° inclination.

8 Installation

Kreon nv

Industrieweg Noord 1152
3660 Opglabbeek
Belgium

Tel +32 89 81 97 80

www.kreon.com
mailbox@kreon.be

revision date 25-04-2018
KR8000002254

Sheet 3/3