

Heathfield&Co

Product Specification Sheet

FLOOR LAMP | ELBA



PRODUCT INFORMATION

Base Code: FL-ELBA-BRNZ-ALAB
Material: Metal & Alabaster
Finish shown: Alabaster
Metalwork: Blackened Bronze
Lampshade: 2X 5" Elba Tall Drum / SH-05-ELBA
Flex: UK & EU 1.5 metres of Black braided flex / US Black braided flex

TECHNICAL INFORMATION

Weight: 7.1kg / 15.6lbs
Plug: Black 13amp UK plug / Black Schuko EU plug / Black US polarised plug
Switching: Black foot switch
Lamping: 2x E14 lampholder / 2x E12 US lampholder
40W max. LED lamps recommended.
Lamps not included

BASE HEIGHT: 1370 mm / 54"
TOTAL HEIGHT: 1370 mm / 54"
BASE WIDTH: 370 mm / 14¹/₂"
SHADE WIDTH: 130 mm / 5"

UKCA / CE / UL COMPLIANT

WARRANTY

10 years*

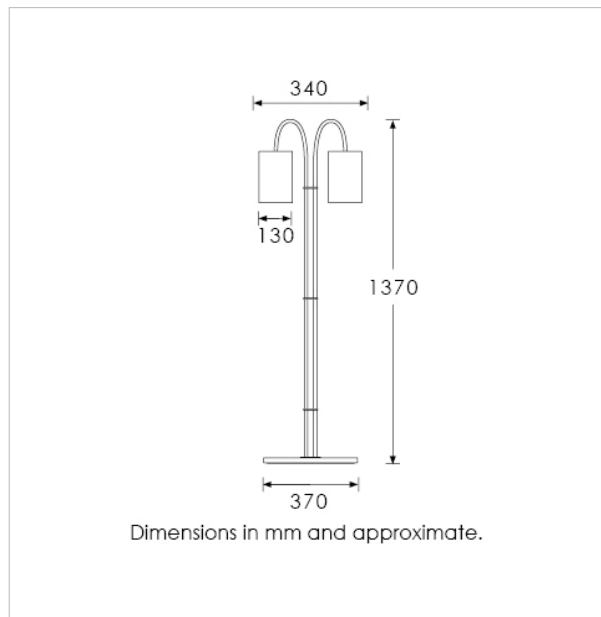
FINISHING NOTE

Alabaster is a natural material with distinctly unique formations, markings and colouration. It is part of its charm that no two lamps are exactly the same.

CLEANING INSTRUCTIONS

The finishes on this luminaire only require regular cleaning with a soft dry duster. Abrasive or chemical cleaners may harm the finish and should not be used. Shade to be dusted with a clean dry cloth.

*Please refer to our Terms & Conditions for further information.



Dimensions in mm and approximate.

H&CO

LIGHT BEYOND DESIGN