

Heathfield&Co

Product Specification Sheet

CEILING LIGHT | DERWENT MEDIUM RECTANGLE



PRODUCT INFORMATION

Base Code: PD-DERW-ABRS-MRC

Material: Metal

Finish shown: Antique Brass

Lampshade: 8" Tall Drum / SH-08-TLDR-DMR

Flex: UK & EU 1.5 metres of Chocolate twisted flex / US Chocolate twisted flex. 1 metre of chain.

TECHNICAL INFORMATION

Weight: 1.7kg / 3.7lbs

Switching & Plug: Hardwired

Lamping: 1x E27 lampholder / 1x E26 US lampholder
40W max. LED lamps recommended.

Lamps not included

TOTAL HEIGHT: 1400 mm / 55"

TOTAL WIDTH: 250 mm / 10"

UKCA / CE / UL COMPLIANT

WARRANTY

10 years*

FINISHING NOTE

All metalwork is handcrafted and may vary from piece to piece with slight variation in finish and detailing.

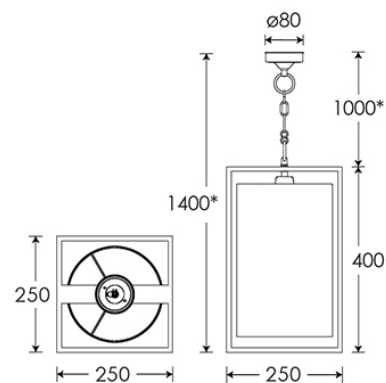
CLEANING INSTRUCTIONS

The finishes on this luminaire only require regular cleaning with a soft dry duster. Abrasive or chemical cleaners may harm the finish and should not be used. Shade to be dusted with a clean dry cloth.

FIXING NOTE

It is the buyer's responsibility to ensure that suitable fixings are used.

*Please refer to our Terms & Conditions for further information.



Dimensions in mm and approximate
*Adjustable flex and chain length

H&CO

LIGHT BEYOND DESIGN

Heathfield&Co

Product Specification Sheet

CEILING LIGHT | DERWENT LARGE RECTANGLE



PRODUCT INFORMATION

Base Code: PD-DERW-ABRS-LRC

Material: Metal

Finish shown: Antique Brass

Lampshade: 8" Tall Drum / SH-08-TLDR-DLR

Flex: UK & EU 1.5 metres of Chocolate twisted flex / US Chocolate twisted flex. 1 metre of chain.

TECHNICAL INFORMATION

Weight: 1.7kg / 3.7lbs

Switching & Plug: Hardwired

Lamping: 1x E27 lampholder / 1x E26 US lampholder

40W max. LED lamps recommended.

Lamps not included

TOTAL HEIGHT: 1600 mm / 63"

TOTAL WIDTH: 250 mm / 10"

UKCA / CE / UL COMPLIANT

WARRANTY

10 years*

FINISHING NOTE

All metalwork is handcrafted and may vary from piece to piece with slight variation in finish and detailing.

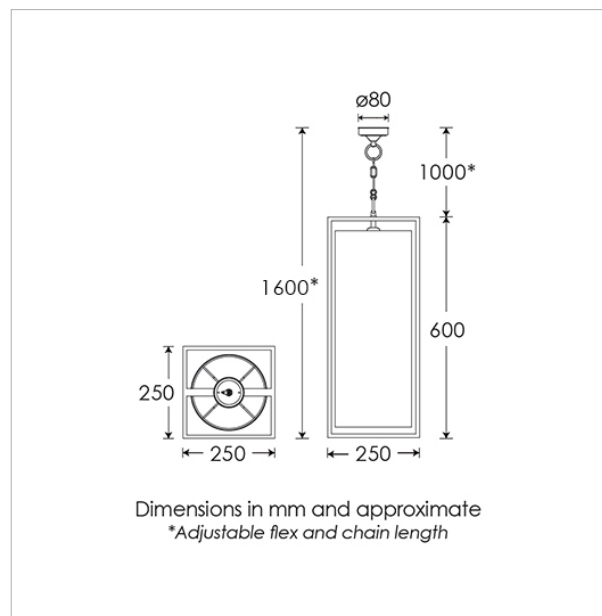
CLEANING INSTRUCTIONS

The finishes on this luminaire only require regular cleaning with a soft dry duster. Abrasive or chemical cleaners may harm the finish and should not be used. Shade to be dusted with a clean dry cloth.

FIXING NOTE

It is the buyer's responsibility to ensure that suitable fixings are used.

*Please refer to our Terms & Conditions for further information.



H&CO

LIGHT BEYOND DESIGN