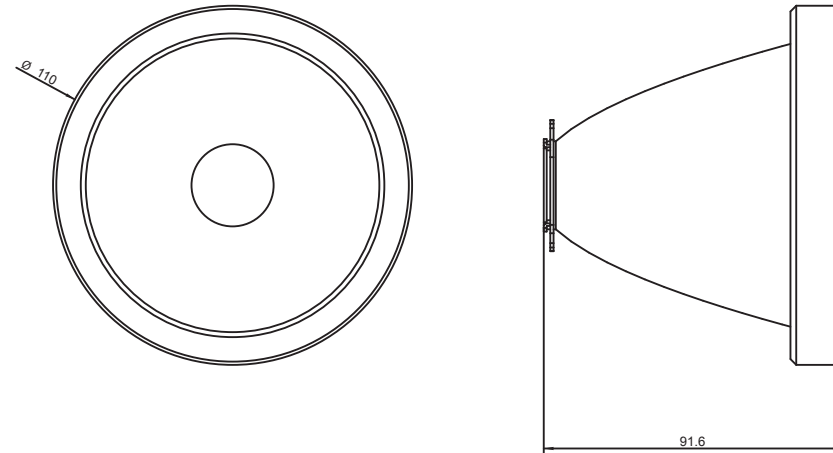


technics



Name

Reference

spot reflector Ø 110

KR720032

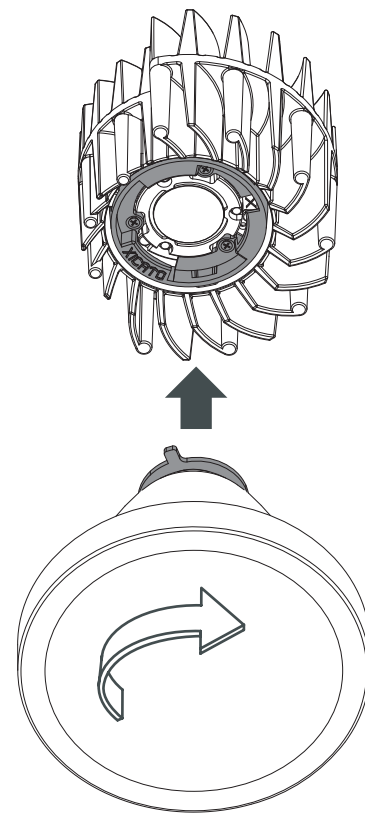
flood reflector Ø 110

KR720034

wide flood reflector Ø 110

KR720036

1 dimensions



2 installation

install the reflector on the LED module. the reflector is fixed by turning it on the LED, underneath the bajonet ring