

FEED-IN for SLV 3-CIRCUIT SURFACE MOUNTED TRACK

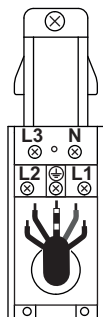
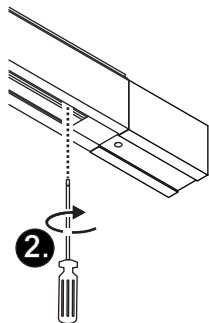
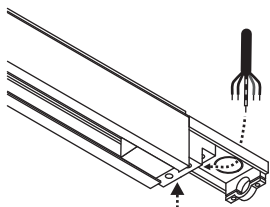
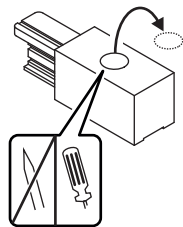
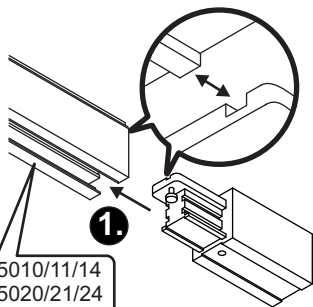
art.-no. 175040/41/44 175050/51/54

220V-250V
~50Hz

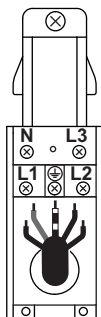
16A
max.



175010/11/14
175020/21/24
175030/31/34



art.-no. 175040/41/44



art.-no. 175050/51/54

