

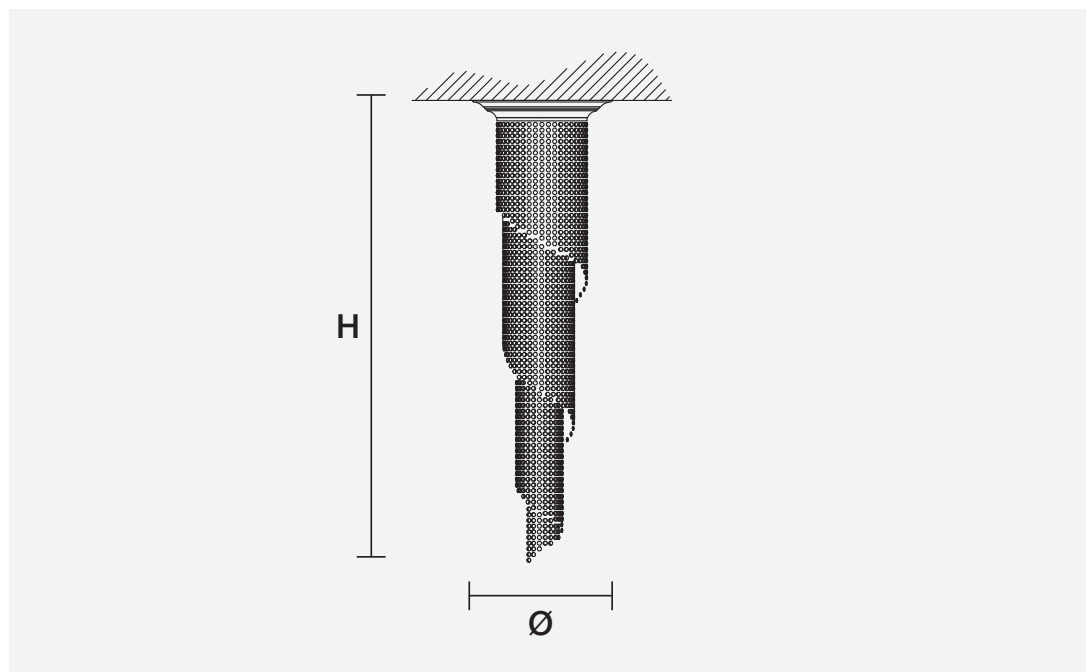
IMPERO-DECO VE 841 M

Design by: Studio Stile Masiero



Telaio in metallo cromato, pendagli in cristallo, gocce azzurre.

Chrome plated metal frame, crystal pendants, sapphire drops.



H 170 cm
66.93"

Ø 44 cm
17.33"

Peso: 14 kg

 4 x E14 x 40W max
Incandescenza/Incandescent



MATERIALI MATERIALS

CUT CRYSTAL

Pendagli in cristallo trasparente molato.

Pendants in transparent cut crystal.

SWAROVSKI® ELEMENTS

Pendagli in cristallo trasparente SWAROVSKI® ELEMENTS.

Pendants in transparent SWAROVSKI® ELEMENTS crystal.

HALF CUT GLASS

Pendagli in vetro semi-molato.

Half cut glass pendants.