

PANZERI

Bella

220-240V AC dimmable (Step DIM)

A05230.011.0509

titanium



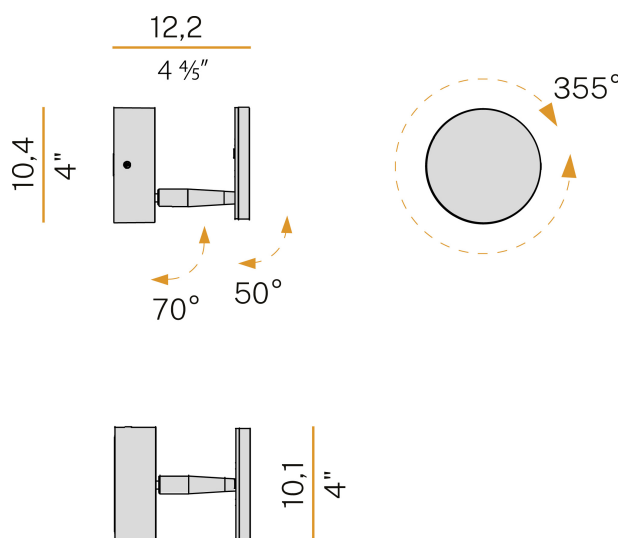
Data sheet

| | |
|--------------------------|-----------------------|
| CODE | A05230.011.0509 |
| SYSTEM POWER CONSUMPTION | 5W |
| EFFICACY | 77.6lm/W |
| LIGHT SOURCE | LED |
| LIGHT SOURCE LIFETIME | L80 (B10) 70.000h |
| COLOUR TEMPERATURE | 2700K Ra>90 |
| LIGHT DISTRIBUTION | adjustable |
| POWER SUPPLY | 220-240V AC |
| FREQUENCY | 50/60Hz |
| ELECTRICAL CONFIGURATION | dimmable (Step DIM) |
| DRIVER | integrated included |
| NOMINAL LUMINOUS FLUX | 460lm |
| LUMEN OUTPUT | 388lm |
| EFFICIENCY | 84.3% |
| WEIGHT | 0,56 Kg |
| PROTECTION DEGREE | IP20 |
| COLOUR TOLLERANCES | SDCM 3 |
| PACKING DIMENSIONS | 12,0 x 24,0 x 13,0 cm |



Ceiling or wall lighting fixture for interiors, with swivelling light beam.
Galvanized sheet metal ceiling or wall bracket.
Die-cast aluminium wall plate in white, black, bronze, mat brass or titanium polyacrylic paint.
Turned brass joints in polyacrylic paint.
Die-cast aluminium structure in polyacrylic paint.
Die-cast aluminium head rotating on three axes in polyacrylic paint.
Modelled acrylic diffuser with mat finish.
Aluminium closing disk in polyacrylic paint.
Push-button to adjust luminosity according to 5 levels of visual comfort.

Technical drawing



Application

