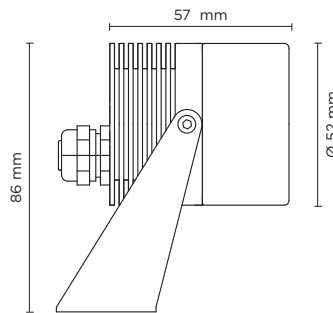




301001

## SCUBA MICRO

Small underwater projector, surface mounted, completely made in stainless steel AISI 316L, silicone o-rings, 350/500mA remote driver needed, with 1 CREE XP-G3 LED. IP 68 rating.



| light source                | light beam options | lumen output (lm) | lumin. efficacy (lm/w) |
|-----------------------------|--------------------|-------------------|------------------------|
| <b>3000°K warm-white</b>    |                    |                   |                        |
| high-power led              | 10°                | 144               | 96.00                  |
| high-power led              | 30°                | 137               | 91.34                  |
| high-power led              | 45°                | 130               | 86.67                  |
| <b>4000°K neutral-white</b> |                    |                   |                        |
| high-power led              | 10°                | 150               | 100.00                 |
| high-power led              | 30°                | 143               | 95.34                  |
| high-power led              | 45°                | 136               | 90.67                  |

### Finish color options:

Stainless Steel

### remote driver selection

| brand     | manufacturer code | type                            | watt      | IP rate | numbers of fixtures |
|-----------|-------------------|---------------------------------|-----------|---------|---------------------|
| TCl Italy | 122086            | constant current 350 MA         | 4W        | IP20    | min 1 - max 2       |
| TCl Italy | 122204            | constant current 350 MA/ 500 MA | 25W - 35W | IP20    | min 1 - max 16      |
| Meanwell  | LPC-20-350        | constant current 350 MA         | 16.8W     | IP67    | min 4 - max 12      |
| Meanwell  | LPC-20-700        | constant current 700 MA         | 21W       | IP67    | min 4 - max 8       |
| Meanwell  | LPF-25-48         | constant current 530 MA         | 25W       | IP67    | min 10 - max 16     |

### Technical features



### Technical data

|                    |  |
|--------------------|--|
| Wattage            | 1,5 WATT   |
| IP Rating          | IP68 - 3 METERS DEPTH                                      |
| IK Rating          | IK08   |
| Material           | Completely made in stainless steel AISI 316 L marine grade |
| Trim               | Stainless steel AISI 316 L marine grade                    |
| Light source       | NR. 1 x 1W CREE "XP-G3" LED                                |
| Screws             | Stainless steel  |
| Remote driver      | 350/500 mA NEEDED  |
| Gasket             | Silicone rubber  |
| Glass              | Tempered   |
| Cable gland        | M12 made in stainless steel AISI 316                       |
| Power cable        | 8 mt. neoprene power cable included                        |
| Adjustable through | 200°   |
| Gross weight       | 1,50 Kg  |

AC 024 - SPIKE FOR SCUBA MICRO/MINI

