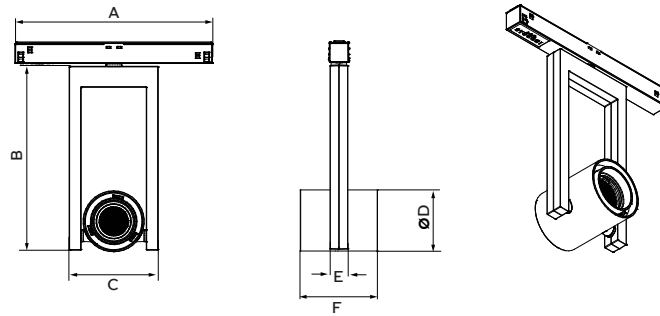


# kreon

## Technics



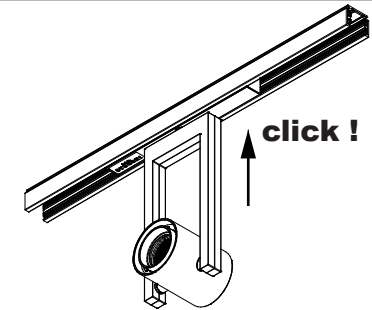
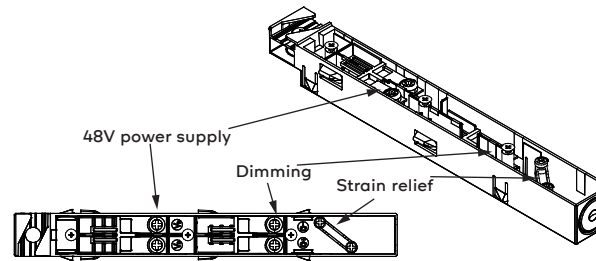
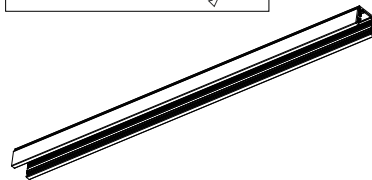
Name	Reference	Voltage	A	B	C	ØD	E	F
Diapason 80 on track	KR91662x	48V	166.4	155	75	51	15	65
Diapason 120 on track	KR92662x	48V	166.4	180	130	95	15	65

### Precaution in case of fixtures with 1-10V dimming!

- It's not recommended to use 1-10V fixtures without connecting the 1-10V dimming cables on the track.
- It's not recommended to use 1-10V passive dimming on the 48V track, active dimming is preferred.
- If the 1-10V fixtures on the track don't function:  
Take all of them out and mount them again one by one.  
The moment a fixture causes a malfunction, take it out and rotate the adapter 180°, in case of passive dimming the polarity needs to be the same on all fixtures.

## 1 Dimensions

Please make sure the main voltage is disconnected before proceeding!

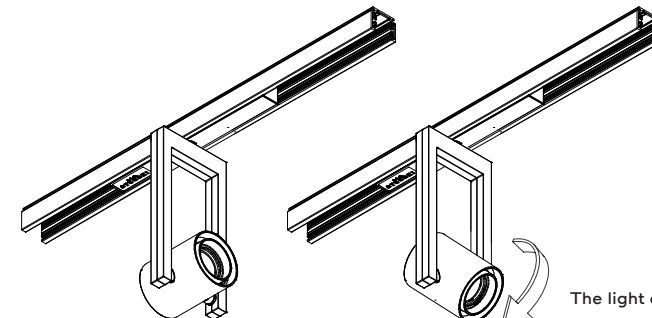
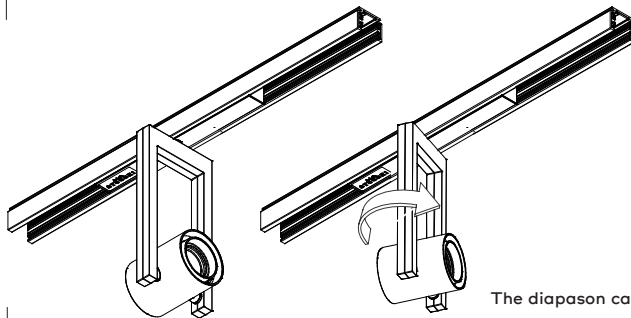


## 2 Installation

Install the Stucchi low voltage track as prescribed

Install the Stucchi end-feed as prescribed  
Supply 48V and dimming to the correct connector

Push the adaptor into the track until click!



## Installation



## 3 Pictures