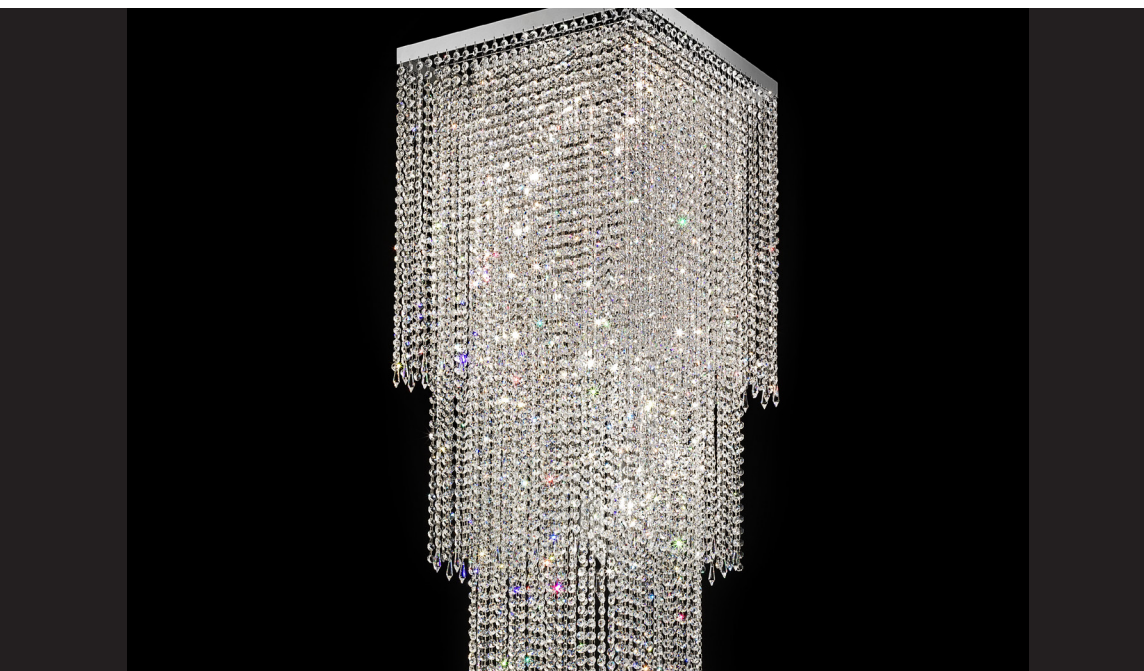


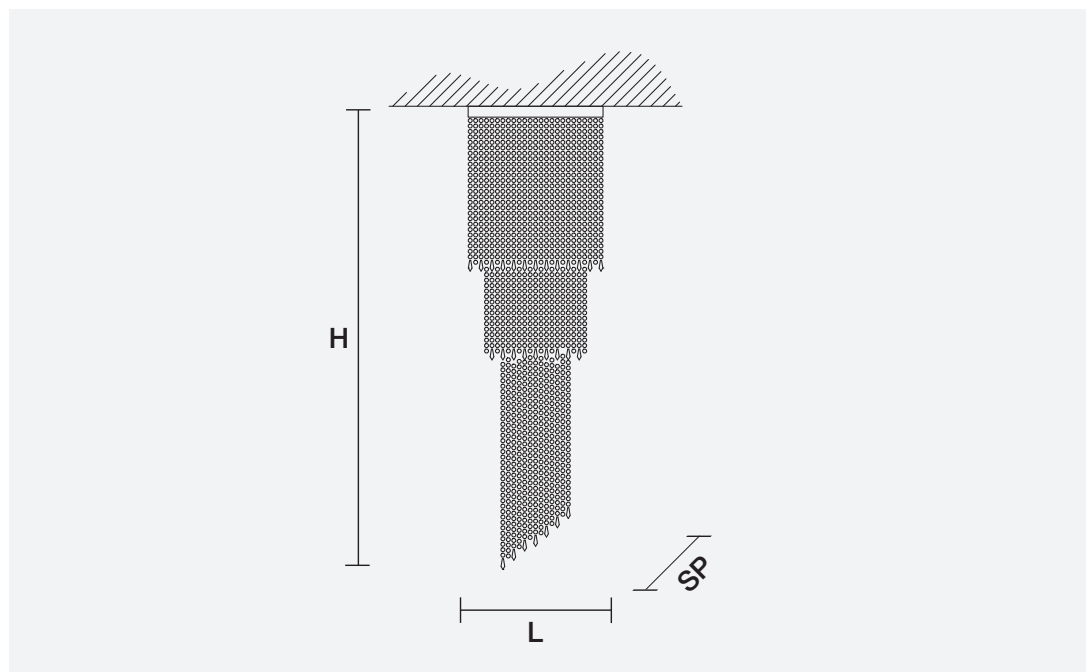
# IMPERO-DECO VE 814 12 50

Design by: Studio Stile Masiero



Telaio in metallo cromato, pendagli in cristallo.

Chrome plated metal frame, crystal pendants.




H 170 cm  
66.93"

Ø 50 cm  
19.68"

SP 50 cm  
19.68"

Peso: 28 kg

 12 x E27 x 60W max  
Incandescenza/Incandescent



## MATERIALI MATERIALS

### CUT CRYSTAL

Pendagli in cristallo trasparente molato.

Pendants in transparent cut crystal.

### SWAROVSKI® ELEMENTS

Pendagli in cristallo trasparente SWAROVSKI® ELEMENTS.

Pendants in transparent SWAROVSKI® ELEMENTS crystal.

### HALF CUT GLASS

Pendagli in vetro semi-molato.

Half cut glass pendants.