

PANZERI

Brooklyn Round

220-240V AC dimmable (DALI/Push DIM)

P23101.360.0402

● white



Data sheet

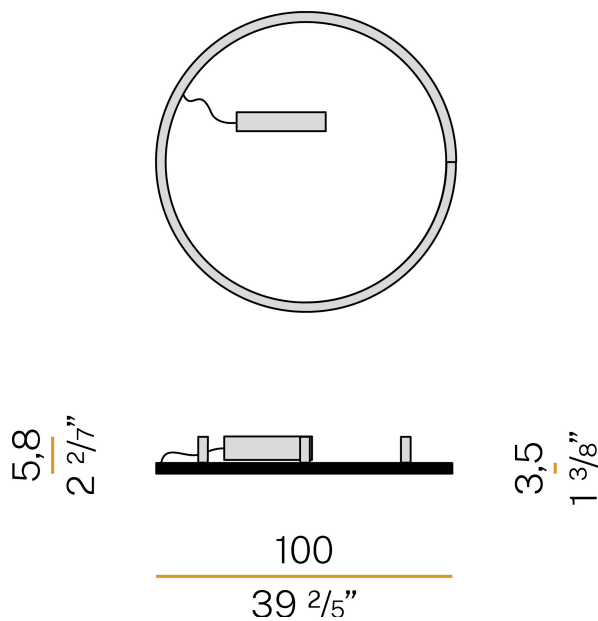
CODE	P23101.360.0402
SYSTEM POWER CONSUMPTION	55W
EFFICACY	53.9lm/W
LIGHT SOURCE	LED
LIGHT SOURCE LIFETIME	L80 (B20) 80.000h
COLOUR TEMPERATURE	3000K Ra>90
LIGHT DISTRIBUTION	diffused
POWER SUPPLY	220-240V AC
FREQUENCY	50/60Hz
ELECTRICAL CONFIGURATION	dimmable (DALI/Push DIM)
DRIVER	integrated included
NOMINAL LUMINOUS FLUX	6840lm
LUMEN OUTPUT	2965lm
EFFICIENCY	43.3%
WEIGHT	3,29 Kg
PROTECTION DEGREE	IP40
COLOUR TOLLERANCES	SDCM 3
GLOW WIRE TEST PERFORMANCE	850°
PACKING DIMENSIONS	108,0 x 108,0 x 13,0 cm



Ceiling or wall lighting fixture for interiors, with direct light emission.
Bended extruded aluminium structure in white, black or mat brass polyacrylic paint.
Extruded polycarbonate diffuser with opaline finish.
Turned brass ceiling-fastening spacers in polyacrylic paint.



Technical drawing



Application



Polar diagram

