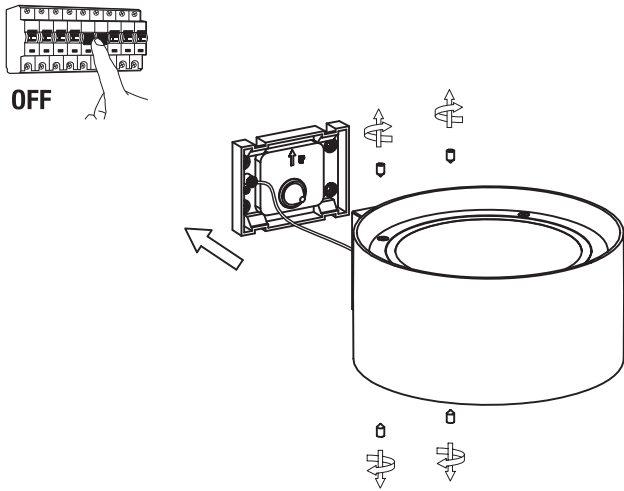
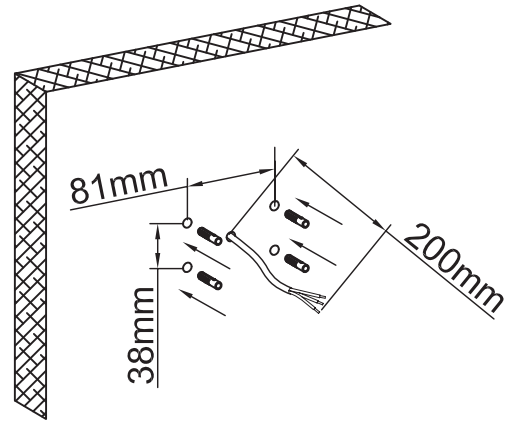


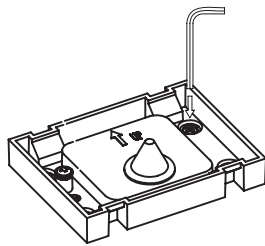
1



2



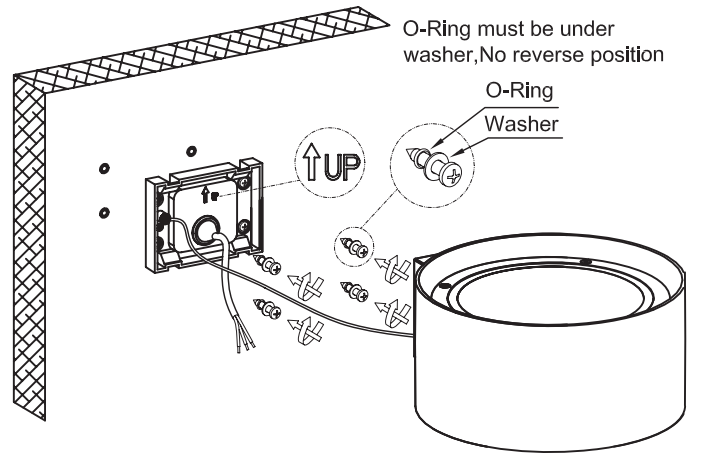
3



Use allen key to open these two installation holes if need

Cut a part of the bushing, but ensure it's smaller than the cable diameter

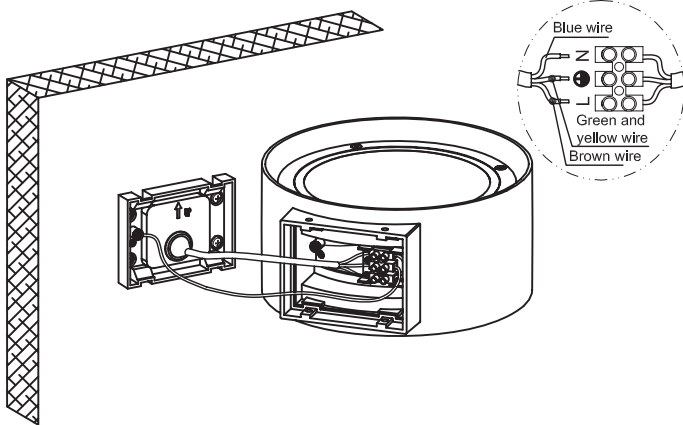
4



O-Ring must be under washer, No reverse position

O-Ring
Washer

5

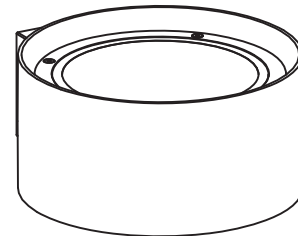


Blue wire

Green and yellow wire

Brown wire

6



LIGHT SOURCE - FUENTE DE LUZ

LED 30W 3000K 1200Lm INCL.

TECHNICAL FEATURES - CARACTERÍSTICAS TÉCNICAS

--	--	--	--	--



LOREFAR, SL • C/. Dinámica, nº1 • Polígono Industrial Santa Rita
• 08755 Castellbisbal • Barcelona • Spain • NACIONAL: Tel. 902
165 166 - 937 723 949 • EXPORT: Tel. +34 937 723 965 • Fax.
+34 937 723 967 • faro@lorefar.com • www.faro.es