

# VIRGO S100

Design by: Manuel Vivian

# MASIERO



Struttura in poliuretano espanso e metallo verniciato. Illuminazione LED diretta e indiretta.

Frame made of expanded polyurethane foam and painted metal. Direct and indirect LED lighting system.

Struktur aus Polyurethanschaumstoff und lackiertem Metall. Direkte und indirekte LED-Beleuchtung.

Structure en polyuréthane expansé et en métal verni. Éclairage direct et indirect avec LEDs.

Конструкция из вспененного полиуретана и окрашенного металла. Светодиодное прямое и не прямое освещение.

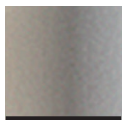
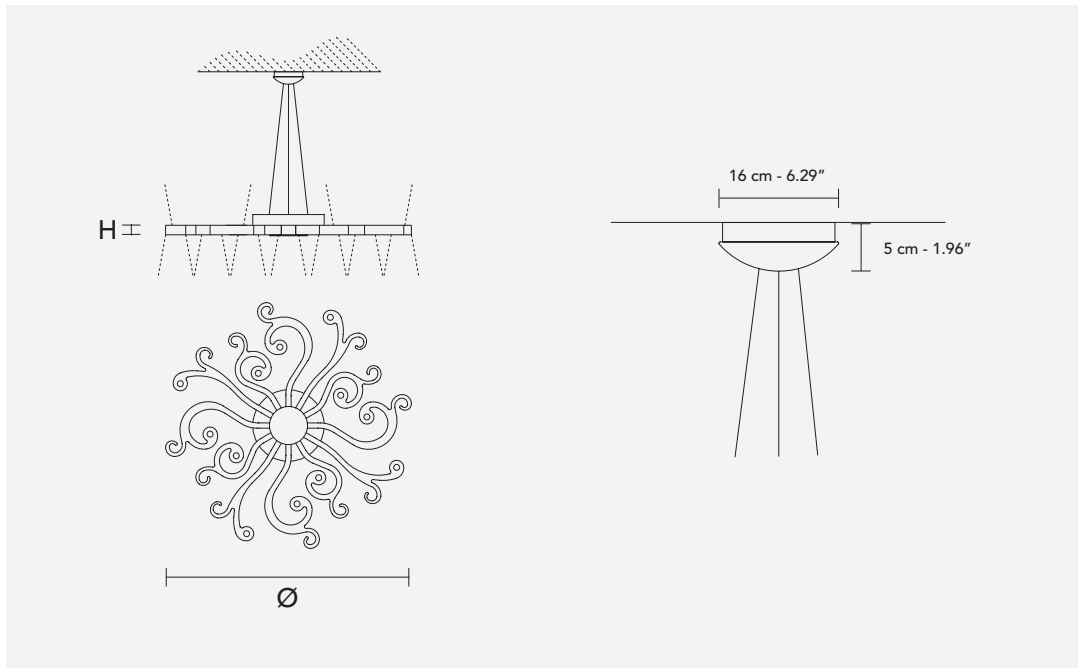


H 9 cm / 3.54"  
Ø 105 cm / 41.33"

**UP** LED x 45 W CRI>80  
3000 K - 3000 lm

**DOWN** LED x 22,8 W CRI>80  
3000 K - 4236 lm

**Dimmable:** ONLY DOWN  
1-10V + PUSH



WH-M