

# Heathfield&Co

## Product Specification Sheet

TABLE LAMP | TERRA



### PRODUCT INFORMATION

Base Code: TL-TERR-ABRS-WHTE

Material: Ceramic

Finish shown: White

Metalwork: Antique Brass

Lampshade: 16" Roman Drum / SH-16-RMDR

Flex: UK & EU 1.5 metres of Ivory twisted flex /

US Ivory braided flex

### TECHNICAL INFORMATION

Weight: 3kg / 6.6lbs

Plug: White 13amp UK plug /

White Schuko EU plug / White US polarised plug

Switching: White inline switch

Lamping: 1x E27 lampholder / 1x E26 US lampholder

60W max. LED lamps recommended.

Lamps not included

BASE HEIGHT: 295 mm / 11<sup>1/2</sup>"

TOTAL HEIGHT: 500 mm / 19<sup>3/4</sup>"

BASE WIDTH: 250 mm / 10"

SHADE WIDTH: 405 mm / 16"

UKCA / CE / UL COMPLIANT

### WARRANTY

10 years\*

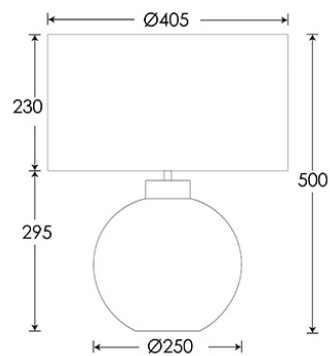
### FINISHING NOTE

The ceramic glazes that we have used on this lamp will create differences from piece to piece - variations in colour, formation and detailing. As such, it is part of the charm that no two products are exactly the same.

### CLEANING INSTRUCTIONS

The finishes on this luminaire only require regular cleaning with a soft dry duster. Abrasive or chemical cleaners may harm the finish and should not be used. Shade to be dusted with a clean dry cloth.

\*Please refer to our Terms & Conditions for further information.



Dimensions in mm and approximate.

H&  
CO

LIGHT BEYOND DESIGN