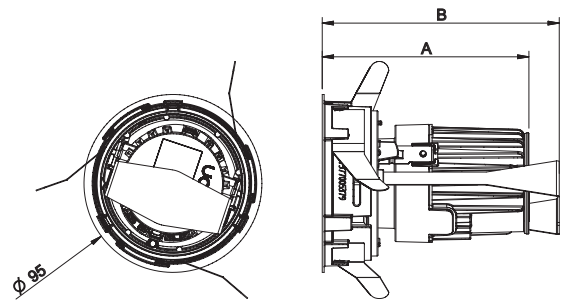


technics

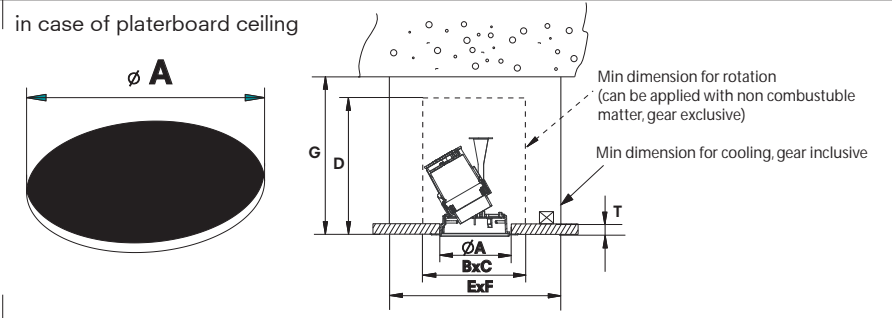
1 dimensions



Name	Reference	Voltage	Drive current	A	B
Aplis 80 single QR-CBC51	KR93770x	12V		110	135
Aplis 80 single LED 1300lm CRI83	KR93773x-83xx		700mA	127	
Aplis 80 single LED 965lm CRI98	KR93773x-98xx		500mA	127	
Aplis 80 directional LED	Kr93793x-xxxx		700mA	115	

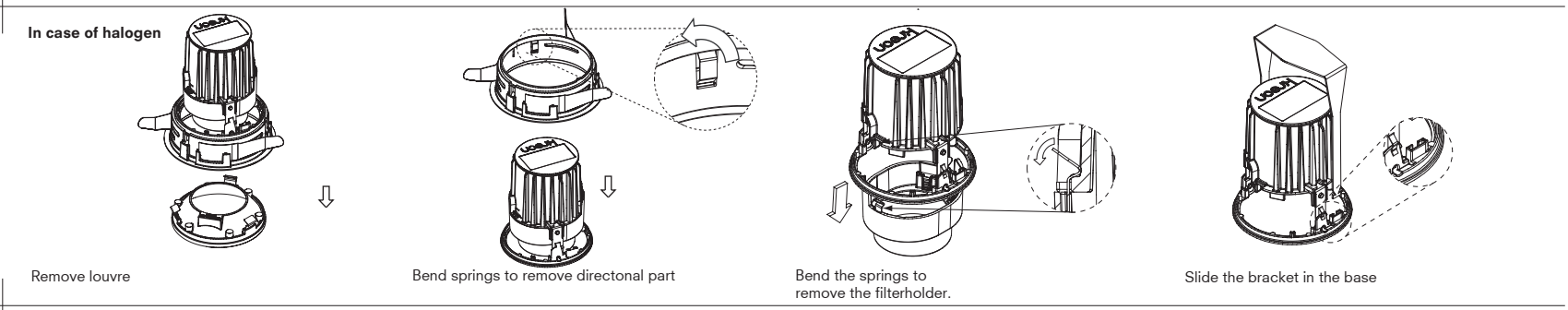
The luminaire must not under any circumstances be covered with heat insulating covers or similar materials.
Cables must not touch the luminaire housing.
The connection cable must be routed so that it does not touch the lamp when the luminaire is tilted.

2 cut out

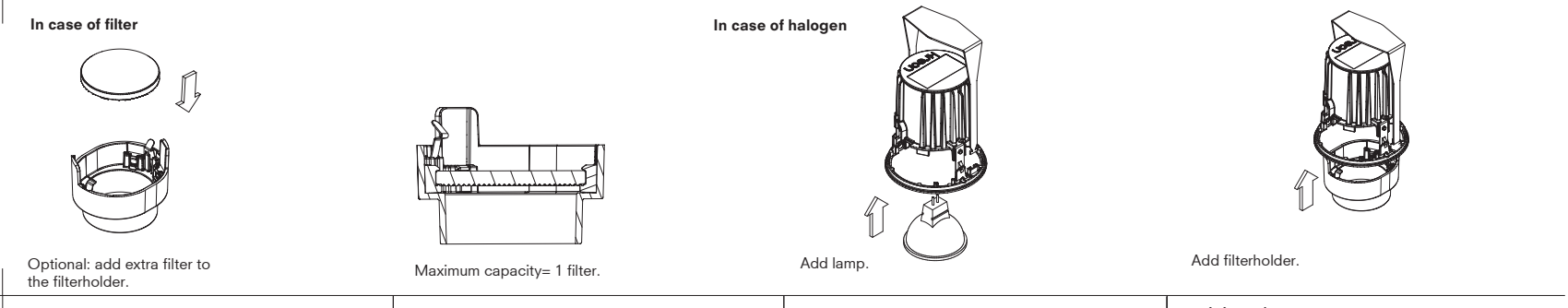


Name	Reference	A	BxC	D _{min}	ExF	G _{min}	T _{min} -T _{max}
Aplis 80 single QR-CBC51	KR93770x	∅ 90	170x170	130	320x320	200	
Aplis 80 single LED	KR93773x-xxxx	∅ 90	170x170	140	300x300	157	
Aplis 80 directional LED	KR93793x-xxxx	∅ 90	∅ 95	115	344x344	120	
Plasterboard thickness							9-26

3 installation

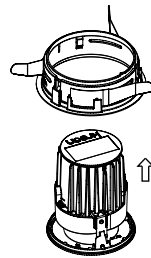
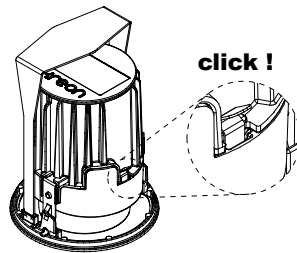


4 installation

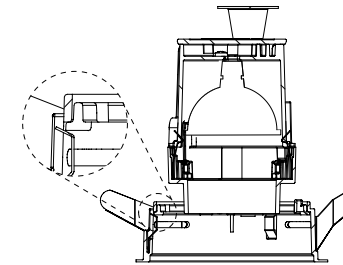


technics

In case of halogen



Insert directional part

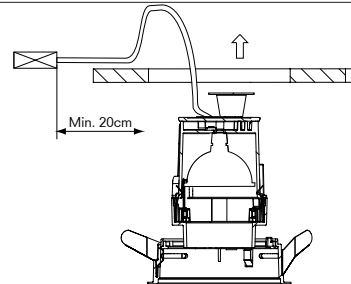


click !

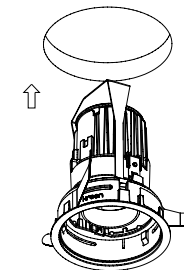
5 dimensions

Please make sure that main voltage is disconnected before proceeding! ⚡

In case of transformer or driver connect wires
Respect polarity!

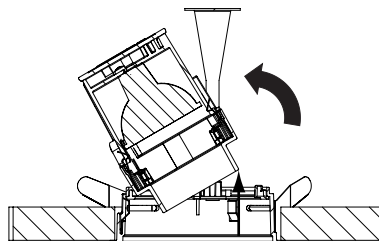


Min. 20cm

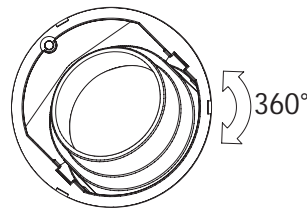


Fold the springs against the ring and rotate anti clockwise to insert into the ceiling.

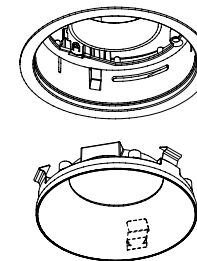
6 installation



Push at the filterholder to rotate inner part manually.



Turn inner part manually.



Insert the louvre in the ring.

