

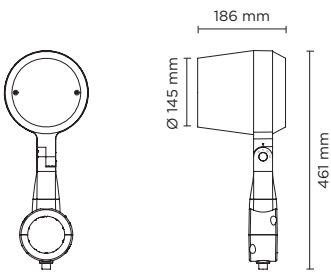


807009 - 807012

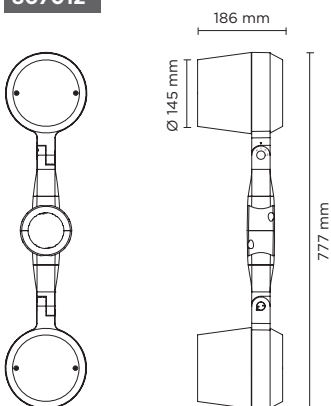
RING POLE MAXI HP

Floodlight for outdoor installation on a pole diam. 60 mm or 76 mm, with 355° swivel pole attachment and allowing horizontal adjustment of +90° / -40°. Phospho-chromatised and polyester powder coated die-cast copper-free aluminium base and head, tempered safety glass, moulded silicone gaskets and o-rings, with screws in stainless steel. Swivel pole joint with graduated scale and mechanical aiming lock. Built-in LED driver, with 6 x CREE XHP35 LED. IP66 rating.

807009



807012



Technical features

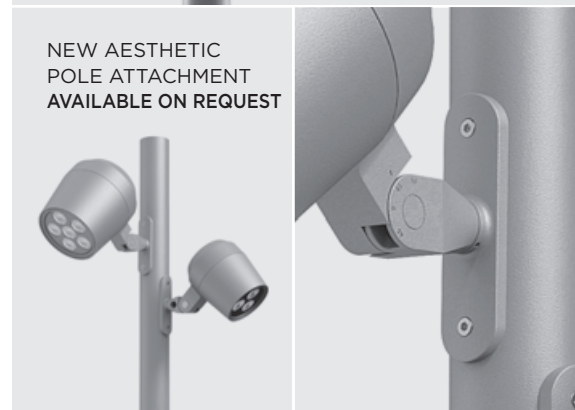


Technical data

| | |
|-------------|--|
| IP Rating | IP66 |
| IK Rating | IK10 |
| Material | High corrosion resistance die-cast copper-free aluminum body |
| Coating | Polyester powder coating with phosphocromating pre-finish |
| Screws | Stainless steel |
| Transformer | Electrical power supply 220/240V 50/60Hz built-in |
| Gasket | Silicone rubber |
| Glass | Tempered |
| Cable gland | M16 rubber grommet |
| Power cable | Not included |



NEW AESTHETIC
POLE ATTACHMENT
AVAILABLE ON REQUEST



807009 SINGLE RING POLE MAXI HP - 38 WATT 220-240V 50-60HZ

| light source | light beam options | lumen output (lm) | lumin. efficacy (lm/w) |
|-----------------------------|--------------------|-------------------|------------------------|
| 3000°K warm-white | | | |
| high-power led | 4° | 4.300 | 113.15 |
| high-power led | 10° | 4.260 | 112.10 |
| high-power led | 28° | 4.210 | 110.79 |
| 4000°K neutral-white | | | |
| high-power led | 4° | 4.400 | 115.79 |
| high-power led | 10° | 4.360 | 114.74 |
| high-power led | 28° | 4.310 | 113.42 |

Colors options

- Textured Grey RAL 9006
- Anthracite Grey RAL 7016
- Matt Black (on request)

Technical data

| | |
|--------------|--------------------|
| Wattage | 38 WATT |
| Light source | 6 x CREE XHP35 LED |
| Gross weight | 4,50 Kg |



807012 DOUBLE RING POLE MAXI HP - 2X38 WATT 220-240V 50-60HZ

| light source | light beam options | lumen output (lm) | lumin. efficacy (lm/w) |
|-----------------------------|--------------------|-------------------|------------------------|
| 3000°K warm-white | | | |
| high-power led | 4° | 2 x 4.300 | 113.15 |
| high-power led | 10° | 2 x 4.260 | 112.10 |
| high-power led | 28° | 2 x 4.210 | 110.79 |
| 4000°K neutral-white | | | |
| high-power led | 4° | 2 x 4.400 | 115.79 |
| high-power led | 10° | 2 x 4.360 | 114.74 |
| high-power led | 28° | 2 x 4.310 | 113.42 |

Colors options

- Textured Grey RAL 9006
- Anthracite Grey RAL 7016
- Matt Black (on request)

Technical data

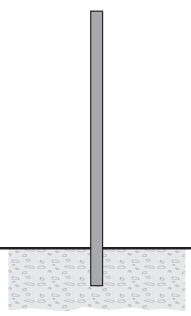
| | |
|--------------|---------------------|
| Wattage | 2X38 WATT |
| Light source | 12 x CREE XHP35 LED |
| Gross weight | 8,50 Kg |



POLES & ACCESSORIES

Full technical details of poles and accessories for poles are available at the end of the catalogue

| BURIED POLES | |
|--------------|--------------------|
| code | h. mm. |
| 809901 | 3.500 |
| 809902 | 4.500 |
| 809903 | 5.500 |
| 809909 | TOP CAP DIAM 76mm. |



POLES WITH BASE-PLATE

| code | h. mm. |
|--------|-------------------|
| 809904 | 3.000 |
| 809905 | 4.000 |
| 809906 | 5.000 |
| 809907 | ACC. |
| 809909 | TOP CAP DIAM 76mm |

