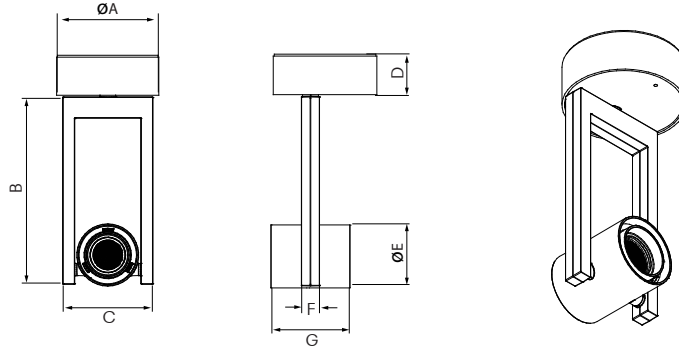


kreon

Technics

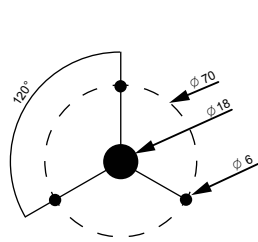


Name	Reference	Current	ØA	B	C	D	ØE	F	G
Diapason 80 Surface mounted	KR91665x	500 mA	85	155	75	33	51	15	65
Diapason 120 Surface mounted	KR92665x	700 mA	85	180	130	33	95	15	65
Diapason 40 Surface mounted	KR90665x	700 mA	85	130	45	33	33	15	65

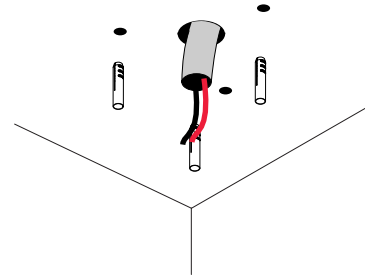
Please make sure the main voltage is disconnected before proceeding! ⚡

1 Dimensions

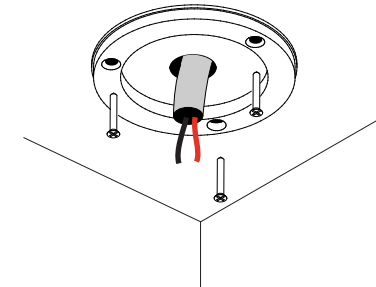
In case of preinstalled LED driver on remote



Drill three holes of Ø6mm (depth min. 30mm) for the plugs and one hole in the middle of ±18mm for the cable throughput



Insert the plugs in the holes



Fix the installation part with the 3 screws

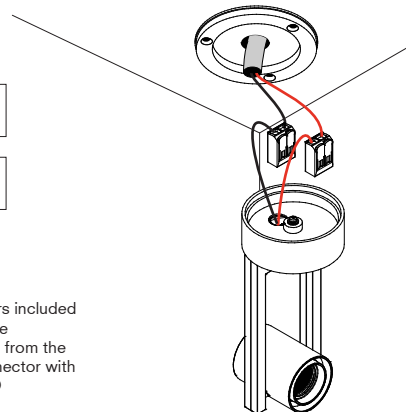
2 Installation

Use the installation part as a template

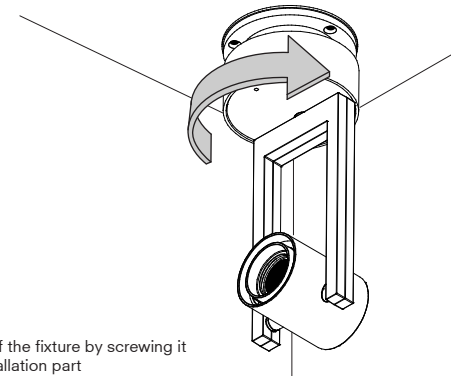
mind the polarity of LED!
+ = red, - = black

Do not connect product to a powered driver.

Connect the wires to the connectors included in the fixture. Add the red wire to the connector with the red wire coming from the LED, add the black wire to the connector with the black wire coming from the LED

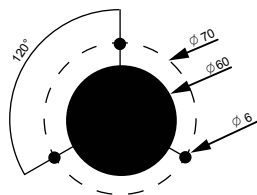


Fix the rest of the fixture by screwing it onto the installation part

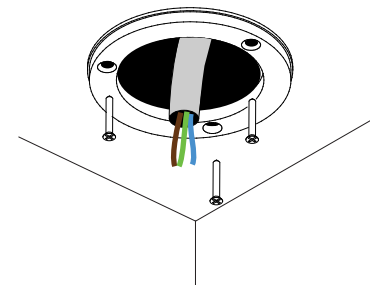
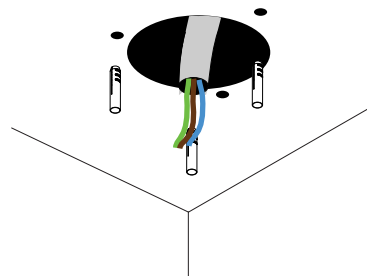


Installation

In case of installation with LED driver



Drill three holes of $\phi 6\text{mm}$ (depth min. 30mm) for the plugs and one hole in the middle of $\pm 60\text{mm}$ for the driver

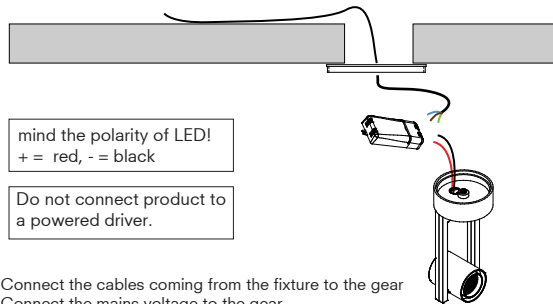


Installation

Use the installation part as a template

Insert the plugs in the holes and pull the 230v power cables through

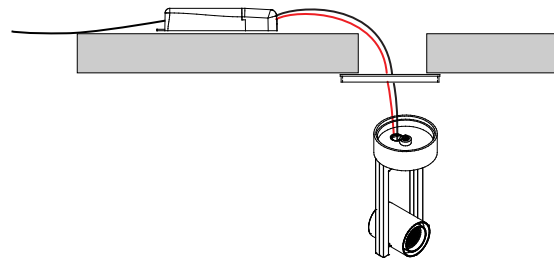
Fix the installation part with the 3 screws



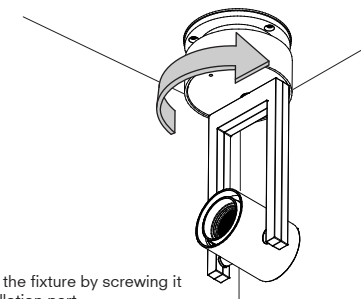
mind the polarity of LED!
+ = red, - = black

Do not connect product to a powered driver.

Connect the cables coming from the fixture to the gear
Connect the mains voltage to the gear

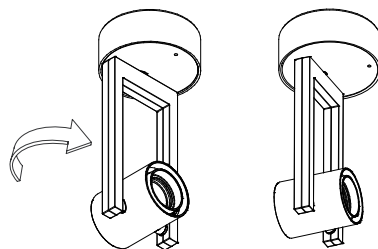


Push the gear through the installation ring onto the ceiling

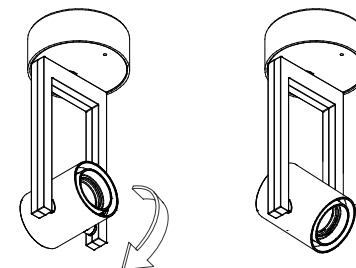


Fix the rest of the fixture by screwing it onto the installation part

Installation

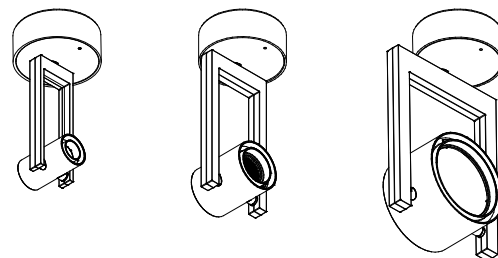


The Diapason can rotate max. 355°



The light can be inclined max. 90°

Installation



3 Pictures