

# Heathfield&Co

## Product Specification Sheet

CEILING LIGHT | ANDROMEDA COLOURED GLASS



### PRODUCT INFORMATION

Base Code: PD-ANDR-ABRS-GLS

Material: Metal & Glass

Finish shown: Murano Blue, Fossil Green, Dusk & Pink

### TECHNICAL INFORMATION

Weight: 2.9kg / 6.3lbs

Switching & Plug: Hardwired

Lamping: 6x E14 lampholder / 6x E12 US lampholder  
40W max. LED lamps recommended.

Lamps not included

TOTAL HEIGHT: 480 mm / 19"

TOTAL WIDTH: 1200 mm / 47"

UKCA / CE / WIRED USING US COMPONENTS

### WARRANTY

10 years\*

### FINISHING NOTE

Our carefully selected glass and metalwork components are all hand finished by skilled artisans and as such no two products are exactly the same - something that adds to the unique charm of this product.

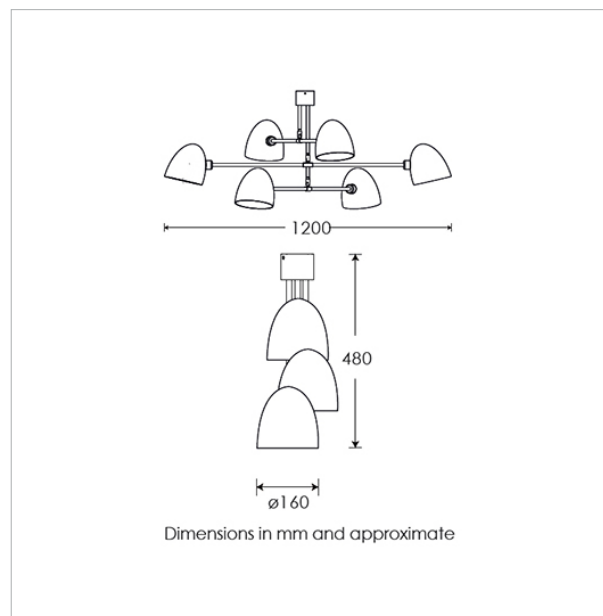
### CLEANING INSTRUCTIONS

The finishes on this luminaire only require regular cleaning with a soft dry duster. Abrasive or chemical cleaners may harm the finish and should not be used.

### FIXING NOTE

It is the buyer's responsibility to ensure that suitable fixings are used.

\*Please refer to our Terms & Conditions for further information.



H&CO

LIGHT BEYOND DESIGN

# Heathfield&Co

## Product Specification Sheet

CEILING LIGHT | ANDROMEDA SMOKE GLASS



### PRODUCT INFORMATION

Base Code: PD-ANDR-ABRS-SMOK-GLS

Material: Metal & Glass

Finish shown: Smoke

### TECHNICAL INFORMATION

Weight: 2.9kg / 6.3lbs

Switching & Plug: Hardwired

Lamping: 6x E14 lampholder / 6x E12 US lampholder  
40W max. LED lamps recommended.

Lamps not included

TOTAL HEIGHT: 480 mm / 19"

TOTAL WIDTH: 1200 mm / 47"

UKCA / CE / WIRED USING US COMPONENTS

### WARRANTY

10 years\*

### FINISHING NOTE

Our carefully selected glass and metalwork components are all hand finished by skilled artisans and as such no two products are exactly the same - something that adds to the unique charm of this product.

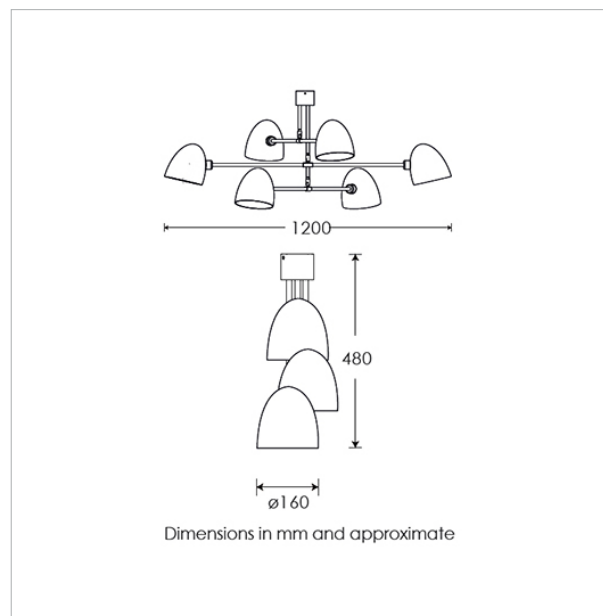
### CLEANING INSTRUCTIONS

The finishes on this luminaire only require regular cleaning with a soft dry duster. Abrasive or chemical cleaners may harm the finish and should not be used.

### FIXING NOTE

It is the buyer's responsibility to ensure that suitable fixings are used.

\*Please refer to our Terms & Conditions for further information.



H&CO

LIGHT BEYOND DESIGN