

**bover**info@boverusa.com  
www.boverusa.com**Siam 150**

Name: Siam 150

Design: Joana Bover / 2010

Typology: Ceiling lamp

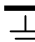
Environment: Indoor

Technical description:

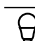
Ceiling lamp providing diffused light through a translucent shade composed of hand wrapped polyester blend ribbon, with structure finished in satin nickel, in two size options. Ribbon colors are available in white, cream and red. Frosted white polycarbonate diffuser is included. This ceiling lamp can be mounted to be partially superimposed upon themselves to create stylish combinations according to the clients' needs.




## Lamps description

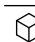
 Grounding: compulsory

 6 x 60 W E26 A15 INC

 6 x 10 W E26 A19 LED



 6 x 20 W E26 Triple CFL


Voltage: 120V~60Hz

 1 Box 63.78 x 19.69 x 68.11 inches

Vol.: 49.4864 ft<sup>3</sup>

Weight: 143.30 lbs

Certifications:  

 Photometrics made according to the position the lights are shown in the catalogue and price list.

## Ref                      Finishings

0532005PU    Structure 01 Satin Nickel

0532005GU    Structure 02 Satin Nickel

## Lampshade:

P-773C        White Translucent Ribbon

P-774C        Cream Translucent Ribbon

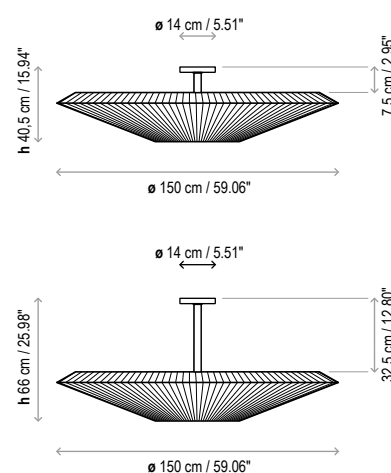
P-775C        Red Translucent Ribbon

This ceiling lamp allows several individual or group compositions.

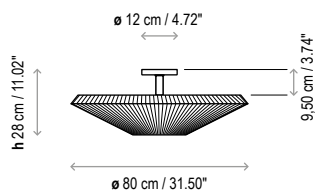
Superimposing shades partially, one on another, we will obtain a mural suitable for each space and need.

Customizable

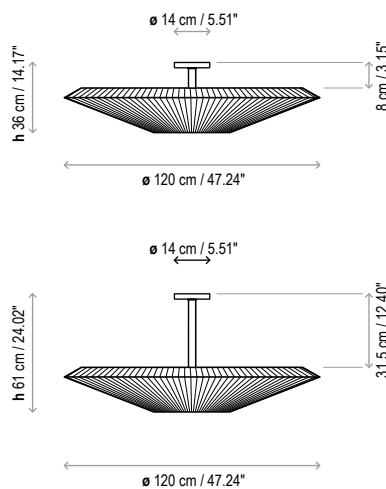
## Measures



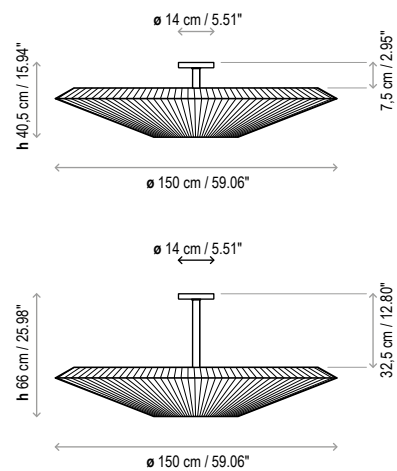
Siam 80



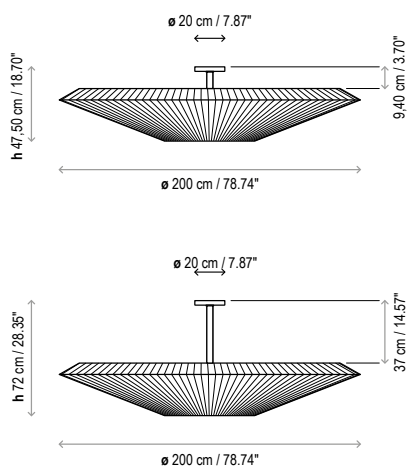
Siam 120



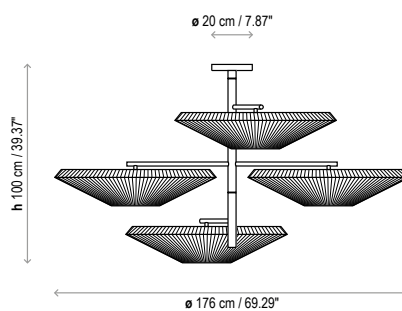
Siam 150



Siam 200



Siam 4L



Siam 6L

