

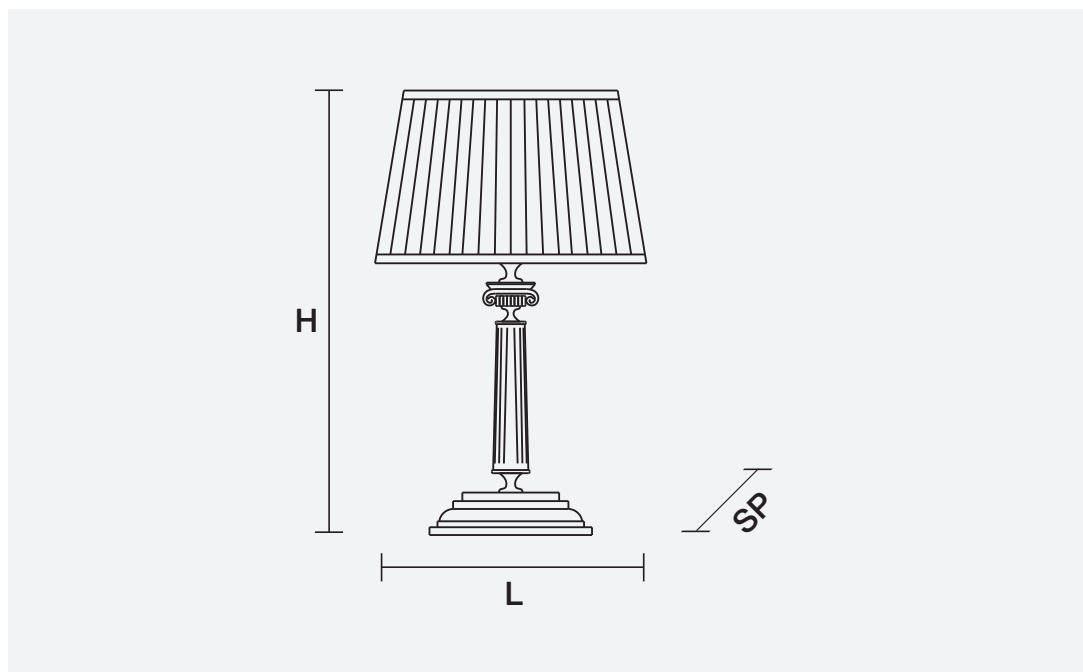
TABLE LAMPS VE 1018 TL1 G

Design by: Studio Stile Masiero




Base in fusione d'ottone dorata,
paralume in tessuto pongè.

Gold plated solid brass base,
pongè lampshade.



H	51 cm 20.10"
L	25 cm 9.90"
SP	25 cm 9.90"

 1 x E27 x 60W max
Incandescenza/Incandescent



MATERIALI MATERIALS

CUT CRYSTAL

Pendagli in cristallo trasparente
molato.

Pendants in transparent cut crystal.

SWAROVSKI® ELEMENTS

Pendagli in cristallo trasparente
SWAROVSKI® ELEMENTS.

Pendants in transparent
SWAROVSKI® ELEMENTS crystal.

HALF CUT GLASS

Pendagli in vetro semi-molato.

Half cut glass pendants.