

Design  
Mammini+Candido

# END



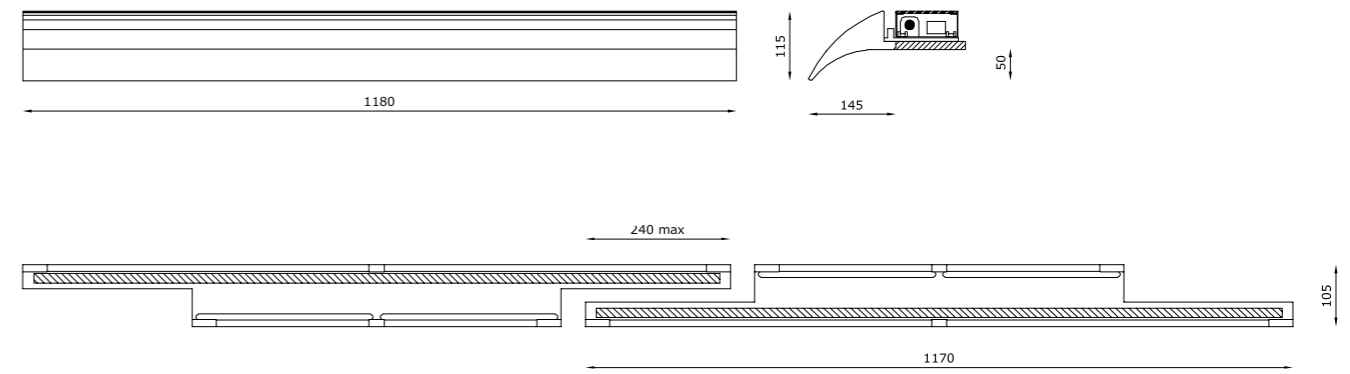
SISTEMA DI LUCE CONTINUA E INDIRECTA  
A SEMINCASSO.

Tagli di luce che esaltano le superfici, creando percorsi precisi all'interno degli spazi: la luce diventa protagonista grazie ad End, sistema modulare in linea continua da interni a scomparsa totale in AirCoral® per installazione in parete o soffitto di cartongesso. La particolare sovrapposizione delle sorgenti luminose evita qualsiasi cono d'ombra, per un effetto luminoso wall-washer puro e incredibilmente scenografico. La luce si trasforma in emozione, delicato elemento d'arredo per gli ambienti più raffinati.

SEMI-RECESSED CONTINUOUS AND INDIRECT  
LIGHT SYSTEM.

Cuts of light that exalt surfaces, creating precise paths inside spaces: light becomes a protagonist thanks to End, a continuous line modular system for indoor spaces made of AirCoral®, installable on walls or on plasterboard ceilings. The particular overlapping of light sources avoids any kind of shadow cone, for a pure and incredibly scenographic wall-washer lighting effect. Light becomes emotion, a delicate decorative element for the most refined environments.

Recessed



## TECHNICAL FEATURES | BODYFRAME

Code	<b>8200.AC</b>
Material	AC: AirCoral®
Absorption capacity*	22.5 m²
Weight	6 Kg
Mounting	Ceiling and wall half recessed
IP rating	-
Cut out for plasterboard	1180 mm for each module installed
Light hole	-
Note	-

## TECHNICAL FEATURES | PROTECTION SHIELD

Code	<b>8210</b>
Material	Satin polycarbonate
Note	Suitable only for T5 light source (code 8214 / 8215)

## TECHNICAL FEATURES | LIGHT SOURCE

Code	<b>8214</b>	<b>8215</b>	<b>8219</b>
Type	Downlight 90°   Wall recessed 90° 	Downlight 90°   Wall recessed 90° 	Downlight 90°   Wall recessed 90° 
Weight	-	-	-
IP rating	IP20	IP20	IP40
Insulation class	I	I	III
Control gear	Electronic ballast	Electronic ballast	Constant voltage driver
Lamp type	T5 (Ø 16 mm) 	T5 (Ø 16 mm) 	LED 24V 
Lamp wattage	1 x 28W	1 x 54W	1 x 28W
Luminous efficacy	-	-	2800 lm
Light distribution	-	-	wide beam 120°
Fitting	G5	G5	-
Light colour	-	-	White 3000K White 2700K (on request)
Light hole	-	-	-
Voltage connection	220-240V · 50/60Hz	220-240V · 50/60Hz	220-240V / 24V · 50/60Hz
CRI	-	-	>90
Emergency	-	-	-
Energy efficiency class	A+	A+	A++
Note	-	-	-

\* The absorption capacity per m² calculated by the American organization TCNA (Tile Council of North America) is measured for an average room of 2.7 m in height and therefore expressed in m²



EXAMPLE OF INSTALLATION

