

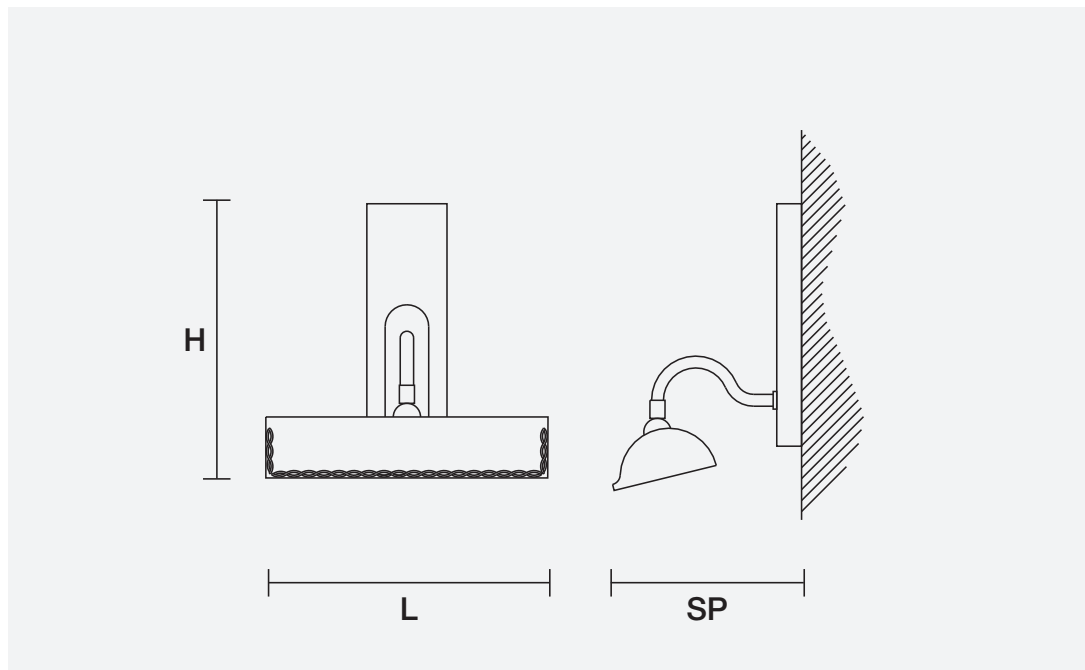
# BRASS & SPOTS VE 868 P

Design by: Studio Stile Masiero



Telaio in metallo dorato.  
Impianto elettrico a LED.  
Trasformatore incluso.

Gold plated metal frame.  
LED lighting system. Ballast included.



H	15 cm 5.90"
L	12 cm 4.90"
SP	15 cm 5.90"

LED x 3W 3000K



## MATERIALI MATERIALS

### CUT CRYSTAL

Pendagli in cristallo trasparente  
molato.

Pendants in transparent cut crystal.

### SWAROVSKI® ELEMENTS

Pendagli in cristallo trasparente  
SWAROVSKI® ELEMENTS.

Pendants in transparent  
SWAROVSKI® ELEMENTS crystal.

### HALF CUT GLASS

Pendagli in vetro semi-molato.

Half cut glass pendants.