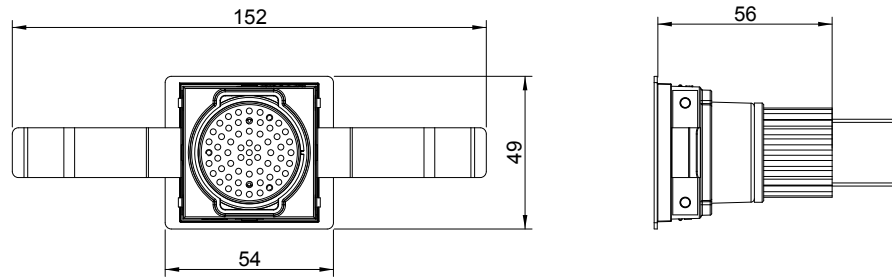


kreon

technics

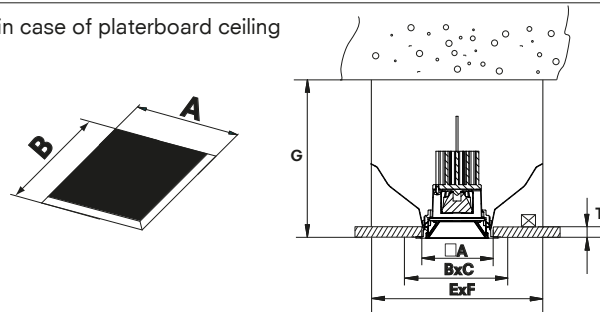


Name	Reference	Drive current
Down 40 fixed	KR95708x-xxxx-xxx	700mA
Down 40 WW	KR95738x-xxxx-xxx	700mA

The luminaire must not under any circumstances be covered with heat insulating covers or similar materials.
Cables must not touch the luminaire housing.
The connection cable must be routed so that it does not touch the lamp when the luminaire is tilted.

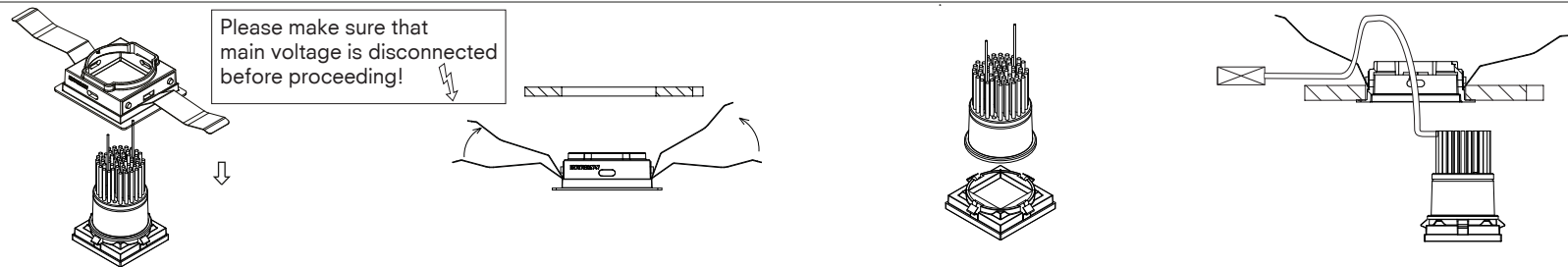
1 dimensions

in case of platerboard ceiling



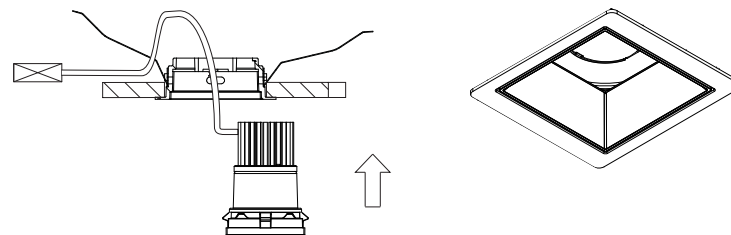
Name	Reference	A	ExF	G _{min}	T _{min} -T _{max}
Down 40 fixed	KR95708x-xxxx-xxx	45x45	110x110	80	9-26
Down 40 WW	KR95738x-xxxx-xxx	45x45	110x110	80	9-26

2 cut out

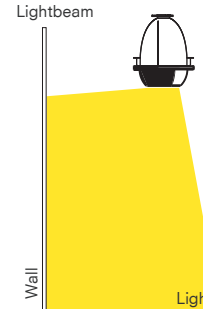


Please make sure that main voltage is disconnected before proceeding!

3 installation



Lightbeam In case of WW



WW

Fixed



4 installation

Put the assembly in the plasterkit until the louvre clicks, see also manual or KR8170001762.