

Heathfield&Co

Product Specification Sheet

TABLE LAMP | IRIS THYME



PRODUCT INFORMATION

Base Code: TL-IRIS-SBRS-THYM

Material: Glass

Finish shown: Thyme

Metalwork: Satin Brass

Lampshade: 10" Medium Drum / SH-10-MEDR

Flex: UK & EU 1.5 metres of Oatmeal braided flex /
US Oatmeal braided flex

TECHNICAL INFORMATION

Weight: 2.1kg / 4.6lbs

Plug: White 13amp UK plug /

White Schuko EU plug / White US polarised plug

Switching: White inline switch

Lamping: 1x E27 lampholder / 1x E26 US lampholder

60W max. LED lamps recommended.

Lamps not included

BASE HEIGHT: 300 mm / 11³/₄"

TOTAL HEIGHT: 550 mm / 21¹/₂"

BASE WIDTH: 140 mm / 5¹/₂"

SHADE WIDTH: 250 mm / 10"

UKCA / CE / UL COMPLIANT

WARRANTY

10 years*

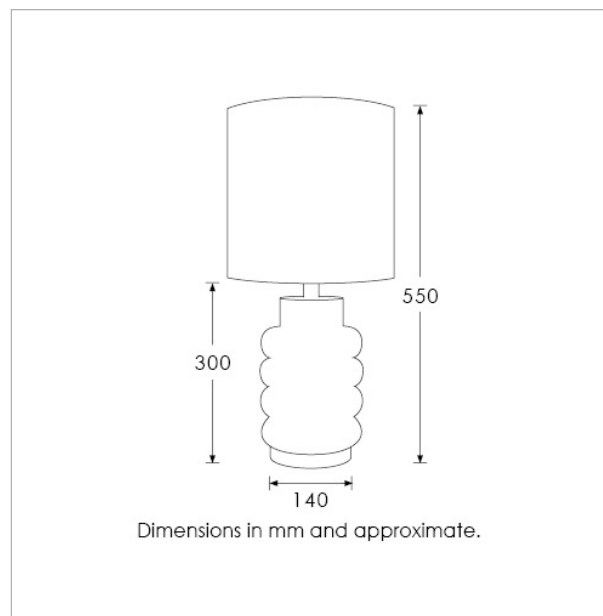
FINISHING NOTE

All our glasswork is hand blown and will vary from piece to piece - variations in form and proportion. Colour formation, pattern and finishing details are unique to each lamp and it is part of the charm that no two products are exactly the same.

CLEANING INSTRUCTIONS

The finishes on this luminaire only require regular cleaning with a soft dry duster. Abrasive or chemical cleaners may harm the finish and should not be used. Shade to be dusted with a clean dry cloth.

*Please refer to our Terms & Conditions for further information.



H&CO

LIGHT BEYOND DESIGN

Heathfield&Co

Product Specification Sheet

TABLE LAMP | IRIS MOTTLE



PRODUCT INFORMATION

Base Code: TL-IRIS-BRNZ-MOTL
Material: Glass
Finish shown: Mottle
Metalwork: Blackened Bronze
Lampshade: 10" Medium Drum / SH-10-MEDR
Flex: UK & EU 1.5 metres of Black braided flex / US Black braided flex

TECHNICAL INFORMATION

Weight: 2.1kg / 4.6lbs
Plug: Black 13amp UK plug / Black Schuko EU plug / Black US polarised plug
Switching: Black inline switch
Lamping: 1x E27 lampholder / 1x E26 US lampholder
60W max. LED lamps recommended.
Lamps not included

BASE HEIGHT: 300 mm / 11³/₄"
TOTAL HEIGHT: 550 mm / 21¹/₂"
BASE WIDTH: 140 mm / 5¹/₂"
SHADE WIDTH: 250 mm / 10"

UKCA / CE / UL COMPLIANT

WARRANTY

10 years*

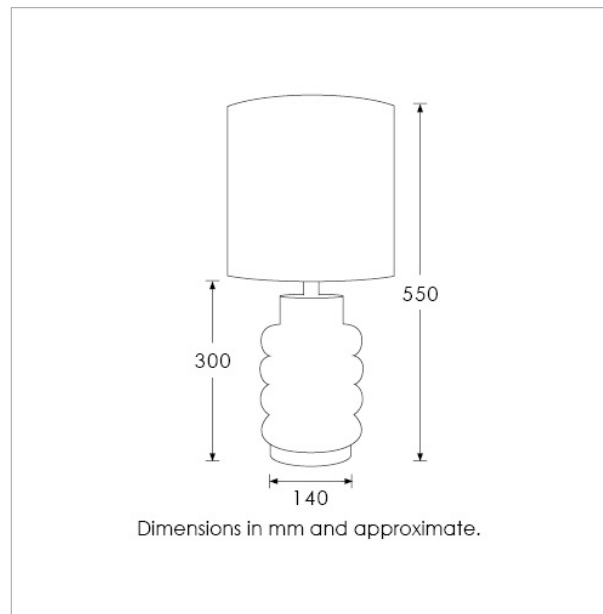
FINISHING NOTE

All our glasswork is hand blown and will vary from piece to piece - variations in form and proportion. Colour formation, pattern and finishing details are unique to each lamp and it is part of the charm that no two products are exactly the same.

CLEANING INSTRUCTIONS

The finishes on this luminaire only require regular cleaning with a soft dry duster. Abrasive or chemical cleaners may harm the finish and should not be used. Shade to be dusted with a clean dry cloth.

*Please refer to our Terms & Conditions for further information.



Dimensions in mm and approximate.

H&CO

LIGHT BEYOND DESIGN