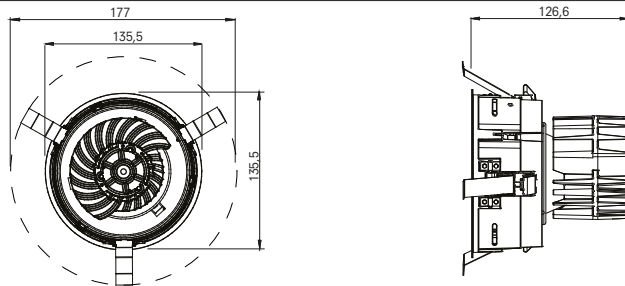


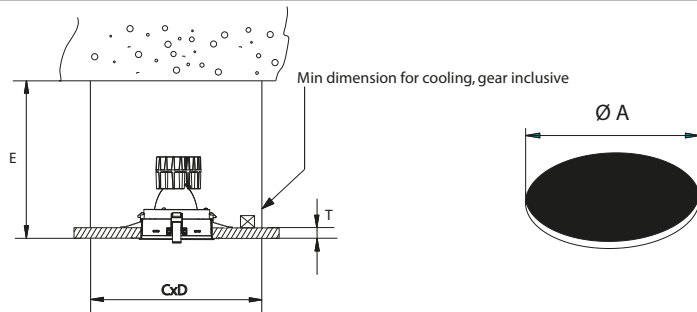
technics



Name	Reference	current
Aplis 120 LED wallwasher	KR95743x	500mA or 700mA

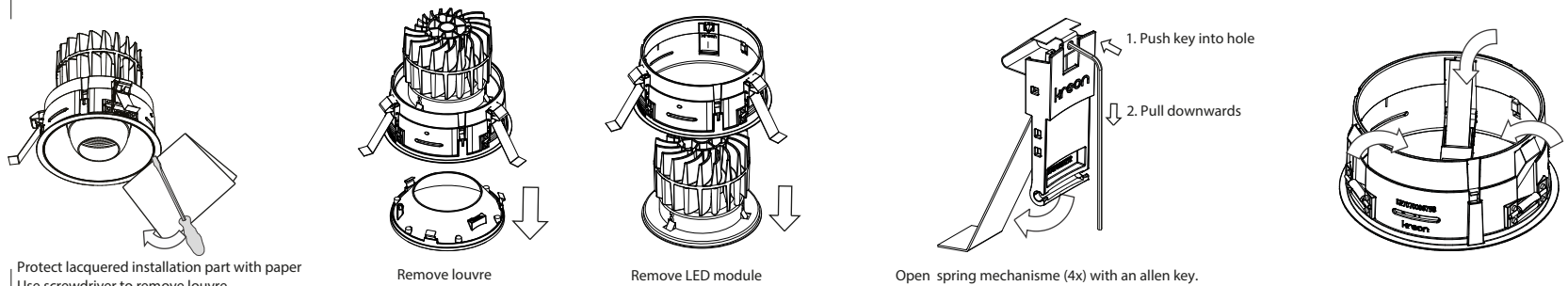
The luminaire must not under any circumstances be covered with heat with insulating covers or similar materials. Cables must not touch the luminaire housing. The connection cable must be routed so that it does not touch the lamp when the luminaire is tilted.

1 dimensions



Name	Reference	ØA	CxD	E _{min}	T _{min} -T _{max}
Aplis 120 LED wallwasher	KR95743x	128	350x350	150H	
Plasterboard thickness					9-26

2 cut out



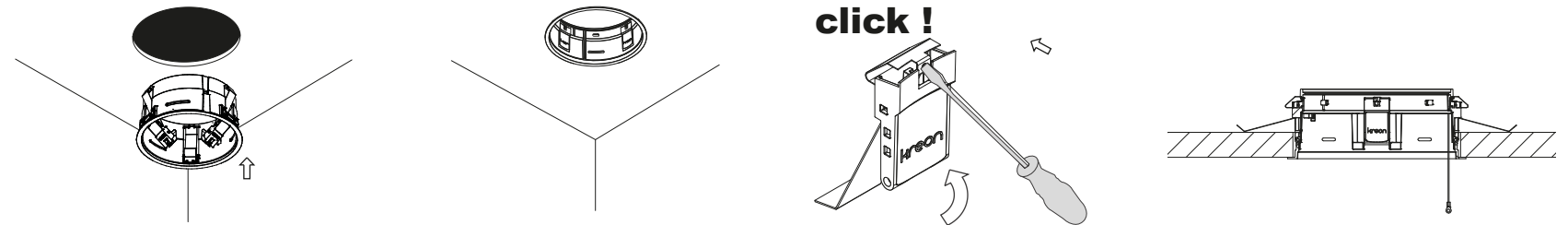
3 installation

Protect lacquered installation part with paper
Use screwdriver to remove louvre

Remove louvre

Remove LED module

Open spring mechanism (4x) with an allen key.



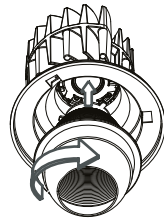
Insert installation box in the hole.

Close spring mechanism (4x).

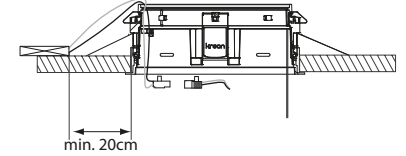
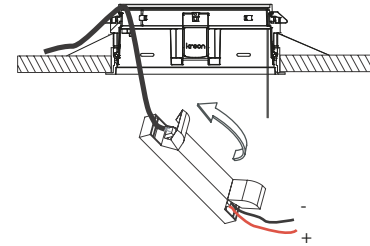
Fix the spring with a tool.

installation

kreon



Please make sure that main voltage is disconnected before proceeding!

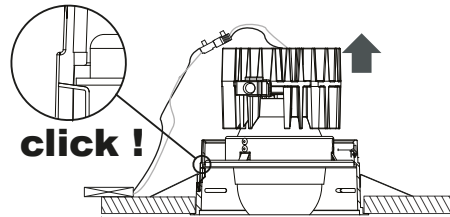
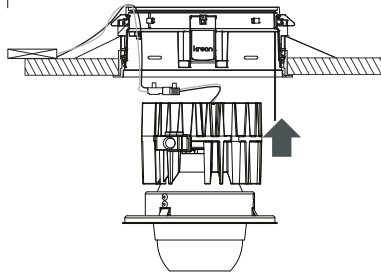


installation

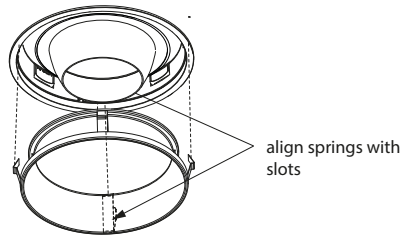
Install the reflector module on the LED module, the reflector is fixed by turning it on the LED, underneath the bajonet ring

Install the correct gear with strain relief on the hollow ceiling

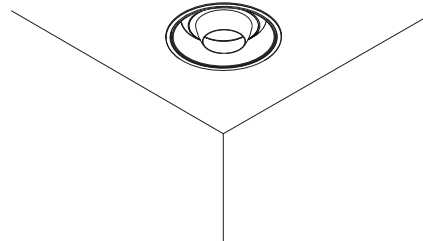
Important: always check the polarity!!
+ = red wire - = black wire ---



installation

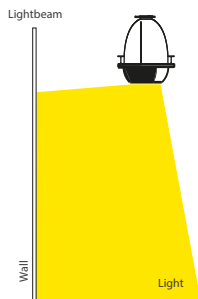


align springs with slots



installation

Install the louvre, align the springs with the slots



4 picture

