

# Heathfield&Co

## Product Specification Sheet

CEILING LIGHT | NULA HORIZONTAL SATIN BRASS



### PRODUCT INFORMATION

Base Code: PD-NULA-SBRS-ALAB-H02

Material: Alabaster

Finish shown: White

Metalwork: Satin Brass

Flex: UK & EU 1.5 metres of Clear PVC cable /  
US Clear PVC cable

### TECHNICAL INFORMATION

Weight: 4.5kg / 9.9lbs

Switching & Plug: Hardwired

Lamping: Integrated LED 2700 Kelvin

20W Mains Dimmable Driver contained within the  
ceiling rose.

### IP RATED

TOTAL HEIGHT: 1560 mm / 61<sup>1</sup>/<sub>2</sub>"

TOTAL WIDTH: 920 mm / 36"

UKCA / CE / WIRED USING US COMPONENTS

### WARRANTY

10 years\*

### FINISHING NOTE

Alabaster is a natural material with distinctly unique formations, markings and colouration. It is part of its charm that no two lamps are exactly the same.

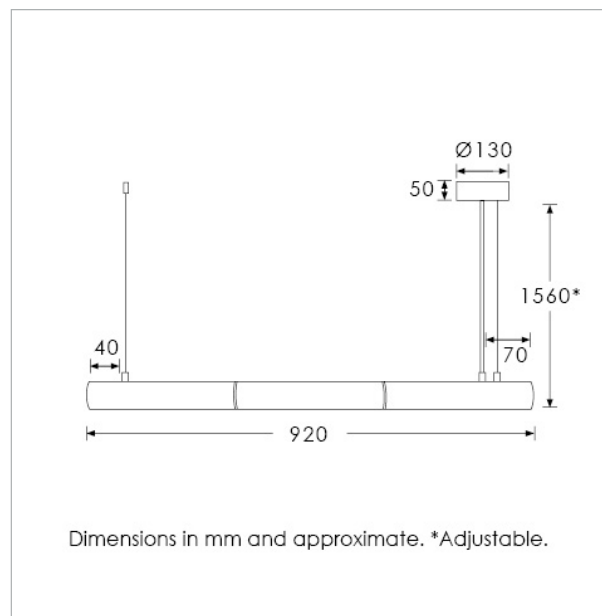
### CLEANING INSTRUCTIONS

The finishes on this luminaire only require regular cleaning with a soft dry duster. Abrasive or chemical cleaners may harm the finish and should not be used.

### FIXING NOTE

It is the buyer's responsibility to ensure that suitable fixings are used. The Nula pendant must be installed with the driver and cannot be wired directly into the mains.

\*Please refer to our Terms & Conditions for further information.



H&CO

LIGHT BEYOND DESIGN

# Heathfield&Co

## Product Specification Sheet

CEILING LIGHT | NULA HORIZONTAL BRONZE



### PRODUCT INFORMATION

Base Code: PD-NULA-DBRZ-ALAB-H02

Material: Alabaster

Finish shown: White

Metalwork: Bronze

Flex: UK & EU 1.5 metres of Clear PVC cable /  
US Clear PVC cable

### TECHNICAL INFORMATION

Weight: 4.5kg / 9.9lbs

Switching & Plug: Hardwired

Lamping: Integrated LED 2700 Kelvin

20W Mains Dimmable Driver contained within the  
ceiling rose.

### IP RATED

TOTAL HEIGHT: 1560 mm / 61<sup>1</sup>/<sub>2</sub>"

TOTAL WIDTH: 920 mm / 36"

UKCA / CE / WIRED USING US COMPONENTS

### WARRANTY

10 years\*

### FINISHING NOTE

Alabaster is a natural material with distinctly unique formations, markings and colouration. It is part of its charm that no two lamps are exactly the same.

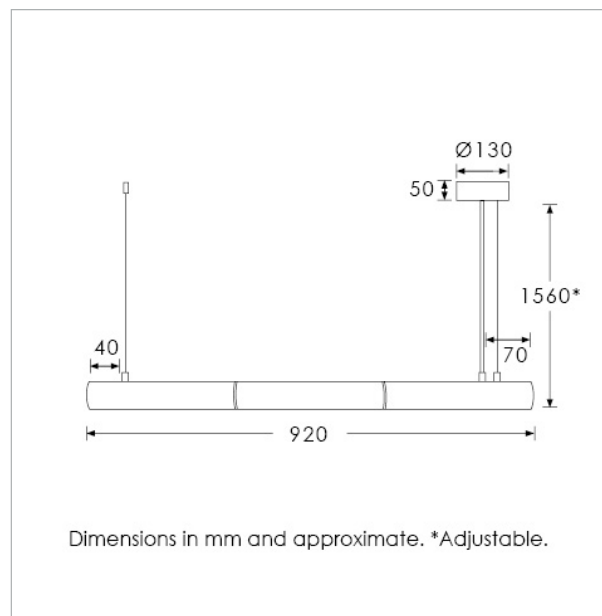
### CLEANING INSTRUCTIONS

The finishes on this luminaire only require regular cleaning with a soft dry duster. Abrasive or chemical cleaners may harm the finish and should not be used.

### FIXING NOTE

It is the buyer's responsibility to ensure that suitable fixings are used.

\*Please refer to our Terms & Conditions for further information.



H&  
CO

LIGHT BEYOND DESIGN