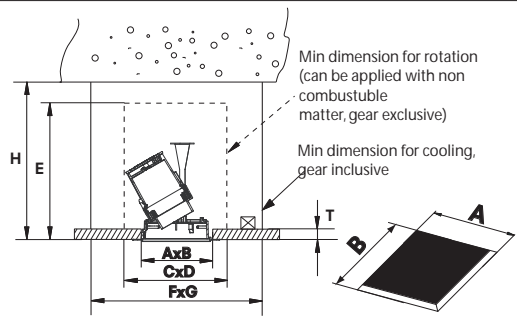


technics		Name	Reference	Lamp type	A x B	CxD	E _{min}	FxG	H _{min}	T _{min} -T _{max}			
1	cut out	Down IL80 plasterkit (shadow gap)	KR717114 (8)	QR-CBC51dir	KR917703	102x102	170x170	130	320x320	200			
				LED dir	KR917733	102x102	170x170	140	300x300	157			
				LED dir	Kr91793x	102x102	95x95	115	344x344	120			
				WW/ LED fix	KR91733x /KR917033	102x102	200x200	100	260x260	100			
				Audio	KR91779x	102x102	150x150	130	200x200	130			
				LED MR16 dir/fix	KR917803/KR917233	102x102	191x191	110	350x350	110			
		Down IL 40 plasterkit	KR707114	LED PAR16 dir/fix	KR917843/KR917253	102x102	176x176	130	330x330	130			
				LED dir, fixed, WW	KR907733 /KR907333 /KR907033	63x63	110x110	80	110x110	80			
				Down IL 80 plaster double		KR727114	QR-CBC51	KR917703	102x177	220x220	130	400x400	200
							LED dir	KR917733	102x177	220x220	140	400x400	200
							WW/ LED fix	KR91733x /KR917033	102x177	254x254	105	552x552	105
							Audio	KR91779x	102x177	150x220	130	230x230	130
Plasterboard thickness 80 range										9-26			
Plasterboard thickness 40 range										9-14			



2		dimensions				
3	installation		Name	Reference	Visible lxJ	H
			Down in-line 80 plasterkit no shadow gap	KR717114	80x80	37
			Down in-line 80 plasterkit shadow gap	KR717118	86x86	37
			Down in-line 80 plasterkit double	KR727114	80x165	37
			Down in-line 40 plasterkit	KR707114	40x40	27

3	installation	Put the plasterkit through the hole.	Fix the plasterkit with the screws.	Assembling torque max 20 CN.m.

4	installation	Assembling principle	Fill around perimeter of plasterkit using suitable filler and plaster to hide screws and plasterkit.	Minimum filler distance, spread out until zero.