

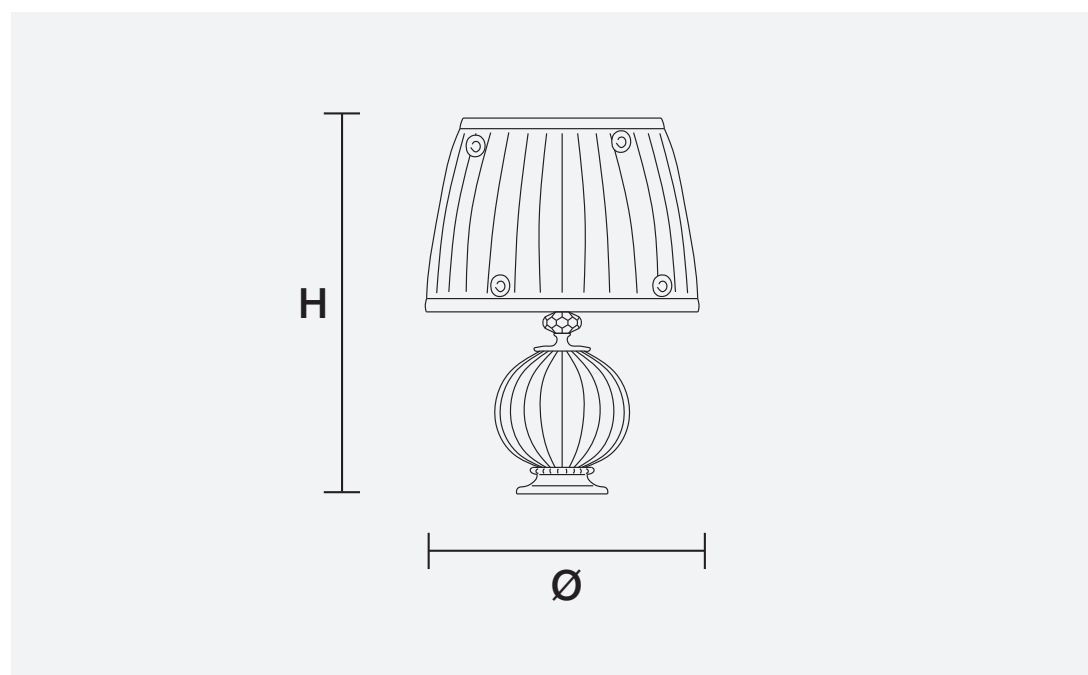
TABLE LAMPS VE 1009 TL1

Design by: Studio Stile Masiero




Base in vetro di Murano soffiato e lavorato a mano, paralume in tessuto pongè.

Hand made blown Murano glass base, pongè lampshad.



H 55 cm
21.70"
Ø 40 cm
15.80"

 1 x E27 x 60W max
Incandescenza/Incandescent



MATERIALI MATERIALS

CUT CRYSTAL

Pendagli in cristallo trasparente molato.

Pendants in transparent cut crystal.

SWAROVSKI® ELEMENTS

Pendagli in cristallo trasparente SWAROVSKI® ELEMENTS.

Pendants in transparent SWAROVSKI® ELEMENTS crystal.

HALF CUT GLASS

Pendagli in vetro semi-molato.

Half cut glass pendants.

MASIERO