

Heathfield&Co

Product Specification Sheet

TABLE LAMP | CLIO



PRODUCT INFORMATION

Base Code: TL-CLIO-SBRS-MARB

Material: Marble

Finish shown: White

Metalwork: Satin Brass

Lampshade: 10" Medium Drum / SH-10-MEDR

Flex: UK & EU 1.5 metres of Oatmeal braided flex /
US Oatmeal braided cable

TECHNICAL INFORMATION

Weight: 4.6kg / 10lbs

Plug: White 13amp UK plug /

White Schuko EU plug / White US polarised plug

Switching: White inline switch

Lamping: 1x E27 lampholder / 1x E26 US lampholder
60W max. LED lamps recommended.

Lamps not included

BASE HEIGHT: 325 mm / 12^{3/4}"

TOTAL HEIGHT: 580 mm / 23"

BASE WIDTH: 80 mm / 3"

SHADE WIDTH: 260 mm / 10^{1/4}"

UKCA / CE / UL COMPLIANT

WARRANTY

10 years*

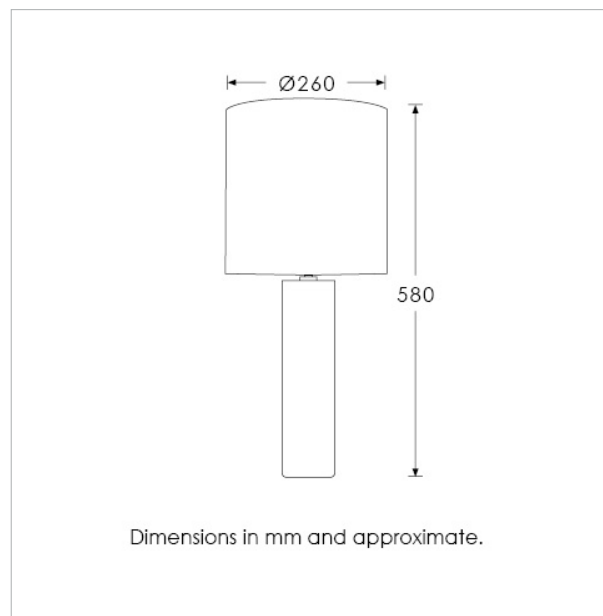
FINISHING NOTE

Marble is a natural material with distinctly unique formations, markings and colouration. It is part of its charm that no two lamps are exactly the same. All metalwork is handcrafted and may vary from piece to piece with slight variations in finish and detailing.

CLEANING INSTRUCTIONS

The finishes on this luminaire only require regular cleaning with a soft dry duster. Abrasive or chemical cleaners may harm the finish and should not be used. Shade to be dusted with a clean dry cloth.

*Please refer to our Terms & Conditions for further information.



Dimensions in mm and approximate.

H&
CO

LIGHT BEYOND DESIGN