

# RAQAM M6

Design by: Marc Sadler

# MASIERO



Struttura in metallo ricoperto in vetro, pendagli in cristallo, illuminazione LED.

Metal frame covered with glass, crystal pendants, LED lighting system.

Metallstruktur mit transparentem Glas bedeckt, Kristall-Gehänge, LED Lichtsystem

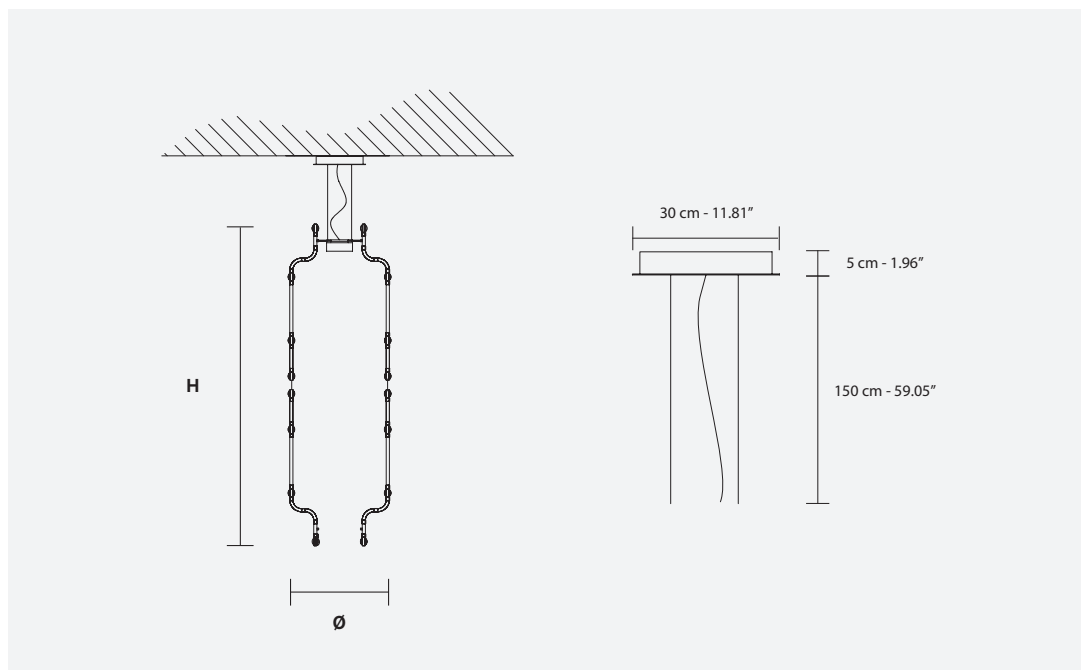
Structure métallique recouverte de verre, pendentifs en cristal, éclairage LED

Металлический каркас, покрытый стеклом, подвесы из хрусталя, светодиодное освещение.

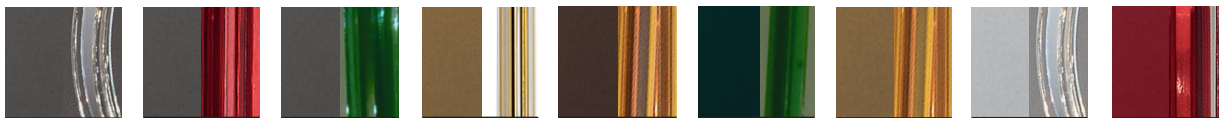


H 200 cm / 78.74"  
Ø 60 cm / 23.62"

LED x 256 W CRI>80  
3000 K - 27200 lm  
Dimmable: PUSH\*



## FRAME + GLASS



Chrome  
Transparent

Chrome  
Red

Chrome  
Green

Gold  
Transparent

Brown  
Orange

Green  
Green

Gold  
Orange

White  
Transparent

Red  
Red

## PENDANTS



Transparent Red

Orange

Green

\* "UL" logo refers to articles which can be modified with UL-compliant components. The "UL" listing mark stands for tested and evaluated product to recognized us safety standards.