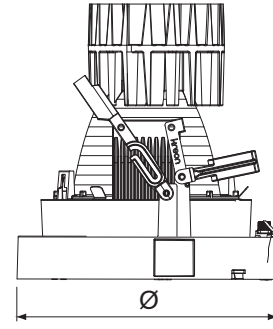


technics

Name	Reference	current	Ø
Aplis/Down in-line 165 LED directional	KR917833-X-XXXX	700mA	154
Aplis/Down in-line 165 LED directional 3000lm	KR917343-XXXX	1050mA	154

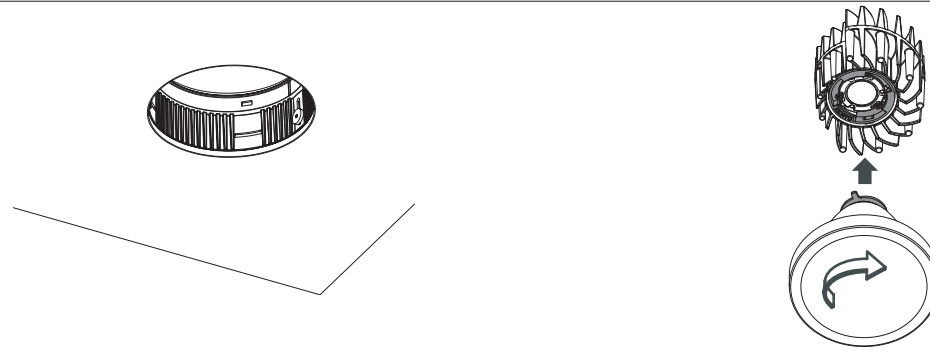
1 dimensions



2 installation

to install the plasterkit.
see installation manual KR8200001623.

fixed by turning it on the LED, underneath the bajonet ring



3 installation

bend the springs to
remove the filterholder.

insert the reflector-LED assembly in the Aplis
the border of the reflector has to snap on the springs

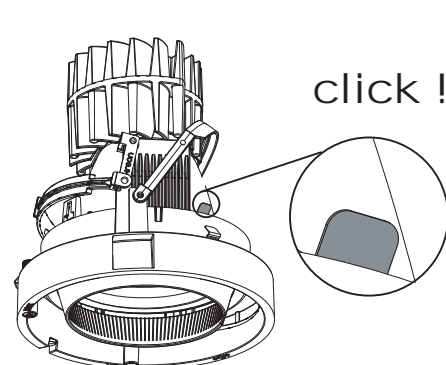
IMPORTANT: mind the orientation of the heatsink!
the shortest side of the heatsink is on the side of the
aplis with the longest rod

install the filterholder again by first aligning
A and B

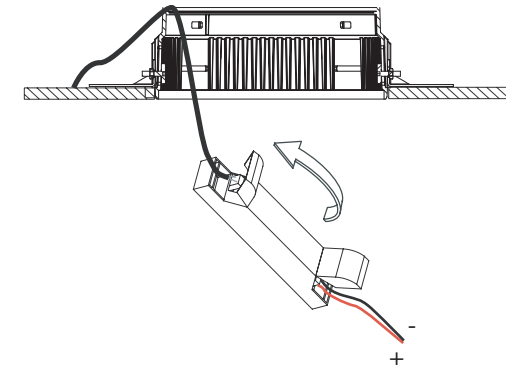


4 installation

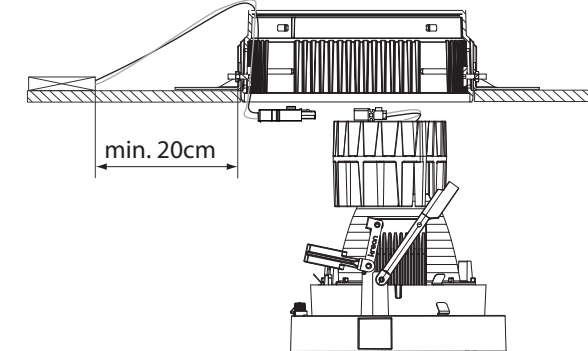
kreon nv



Please make sure that
main voltage is disconnected
before proceeding!

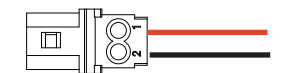


install the correct gear with strain relief
on the hollow ceiling



important: always check the polarity!!
+ = red wire - = black wire

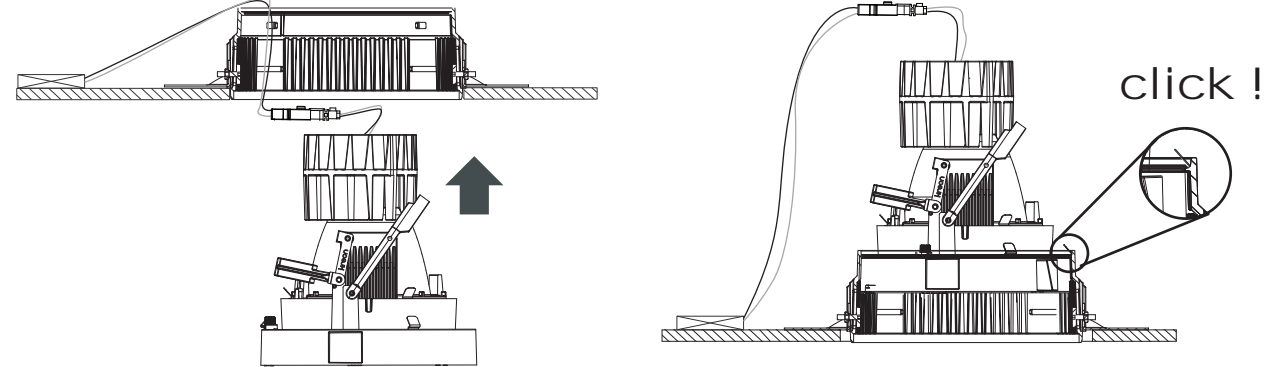
male connector is already wired
as follows



make sure the female connector
is wired in the same way

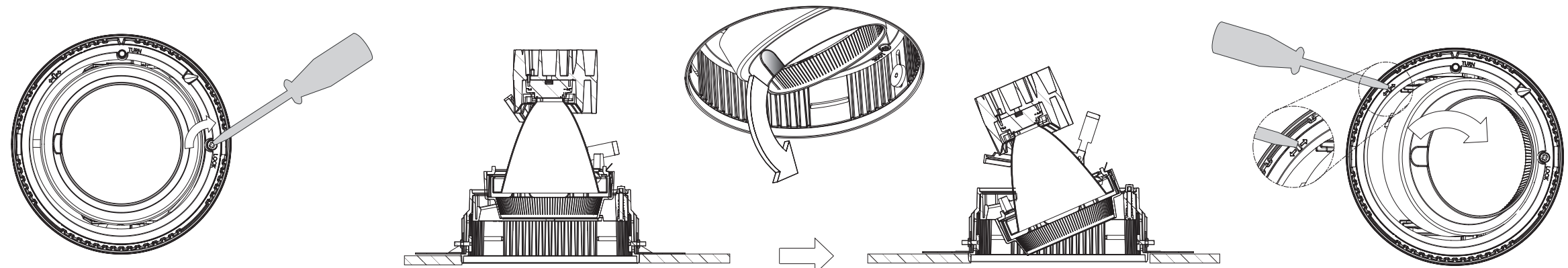
2 = black
1 = red

technics



5 installation

Put the assembly in the plasterkit.



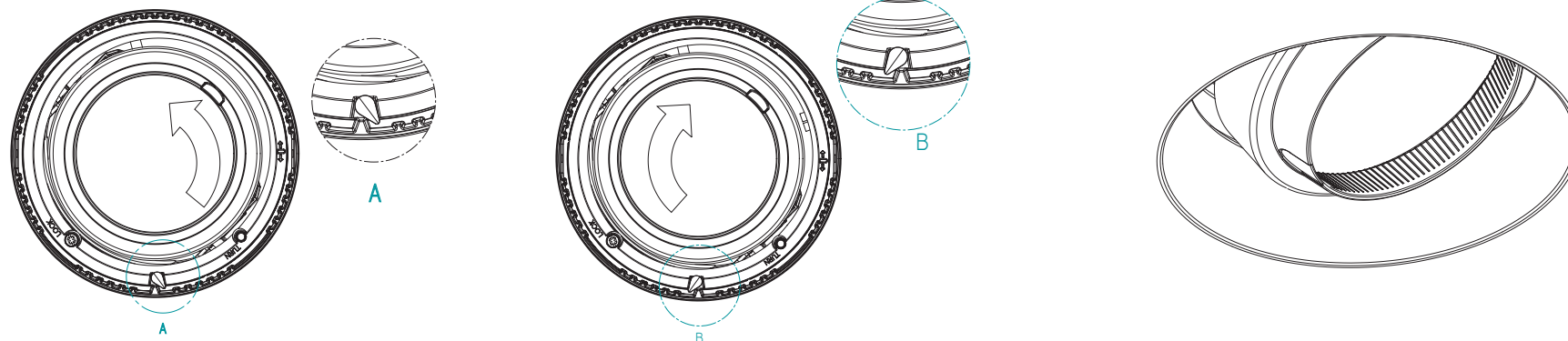
6 installation

Turn 1/4 circle to lock.

Pull the filterholder with thumb and index on the recessed surface

to rotate inner part manually.

Turn inner part with tool or manually.



Can rotate 360°.

To install the louvre see manual KR8170001643.

7 installation



8 installation

kreon nv

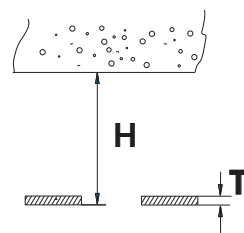
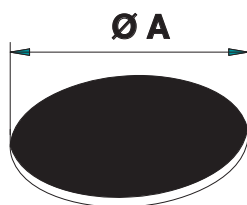
Industrieweg Noord 1152
3660 Opglabbeek
Belgium

Tel + 32 89 81 97 80
Fax + 32 89 81 97 90

www.kreon.com
mailbox@kreon.be

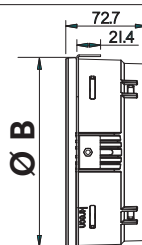
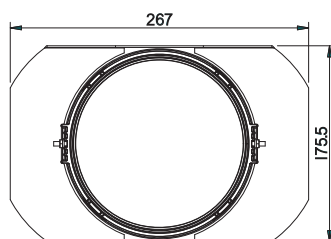
revision date: 11/05/2016
KR8178331829

technics



Name	Reference	Ø A	H _{min}	T _{min} -T _{max}
Plasterkit box without shadow gap	KR717204	186		
Plasterkit box with shadow gap	KR717208	186		
In case of QT12-ax type	KR917813		195 ✓ 200 ✓	
In case of QT12-ax Wall Washer type	KR917413		170 ✓ 175 ✓	
In case of HIT-TC type	KR917883		225 ✓ 230 ✓	
In case of HIT-TC Wall Washer type	KR917483		200 ✓ 205 ✓	
In case of QR-LP111 type	KR917823		178 ✓ 230 ✓	
In case of HIR-CE111 type	KR917853		203 ✓ 230 ✓	
In case of LED type	KR917833		255	
In case of Audio	KR91789x		155	

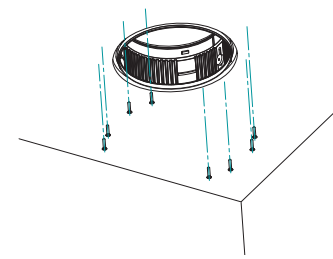
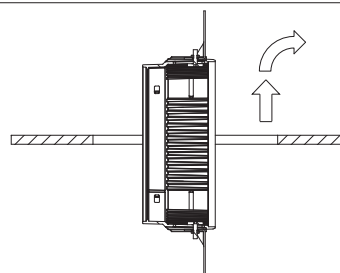
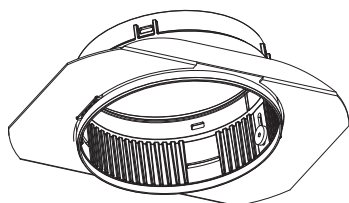
1 cut out



Plasterboard thickness 9-26

Name	Reference	Ø B
Plasterkit box without shadow gap	KR717204	171
Plasterkit box with shadow gap	KR717208	177

2 dimensions

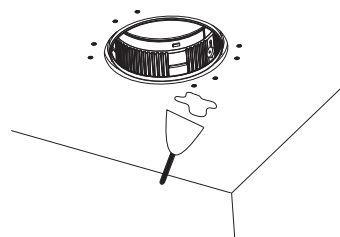
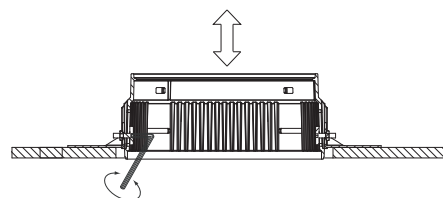


3 installation

Insert the plasterkit through the hole on the ceiling

Fix the plate with plasterboard screws

4 installation



Align the box with the plasterboard using the thumb screw.
Fix these screws with a hexagon screw key.

Fill around perimeter of plasterkit using suitable filler and plaster to hide screws and plasterkit.

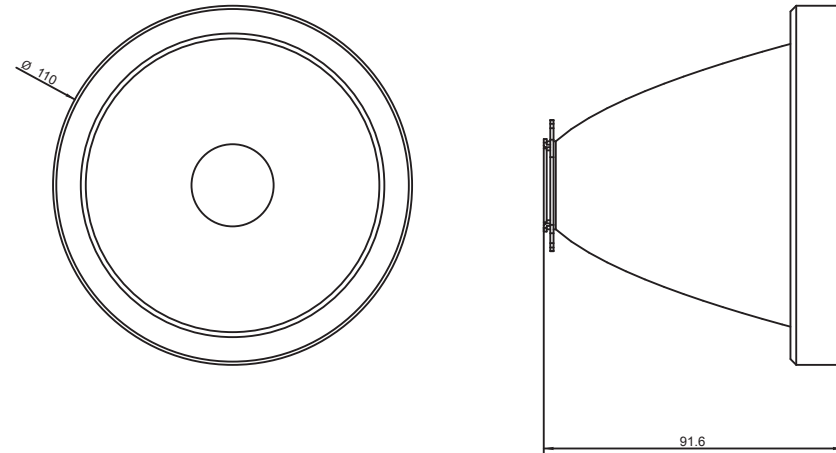
technics	In case of precast concrete panels, gear inclusive.	In case of finished concrete ceiling, gear exclusive.	Name	Reference	Lamp type	ØA	E	F	G	B	ØD
			Concrete plasterkit aplis IL 80 (shadow gap)	KR717101 (9)	QR-CBC51 LED dir. LED fixed, WW Audio	140 140 140 140	320 300 260 200	320 300 260 200	200 157 100 130	170 170 250 150	130 140 100 130
1 cut out			Concrete plasterkit aplis IL 120 (shadow gap)	KR707201 (9)	LED dir., fixed LED low	140 140	305 390	305 390	200 150	305 305	200 237
			Concrete plasterkit aplis IL 165 (shadow gap)	KR717201 (9)	QT12-ax	200	200	450	200	210	195
					QR-LP111	200	200	450	230	210	178
HIT_TC	200	200	450	230	210	225					
HIR-CE111	200	200	450	230	210	203					
LED dir.	200	280	450	230	210	230					

2 dimensions	Aplis in-line 80		Aplis in-line 120		Aplis in-line 165	

3 installation	Put the plasterkit through the hole.		Fix the plasterkit with screws.		In case of aplis IL 165. Align the box with the plasterboard using the thumb screw. Fix these screws with a hexagon screw key.	

4 installation	In case of 80 range please make sure that sticker is removed before proceeding!		Fill around perimeter of plasterkit using suitable filler and plaster to hide screws and plasterkit.		Minimum filler distance, spread out until zero.	

technics



Name

Reference

spot reflector Ø 110

KR720032

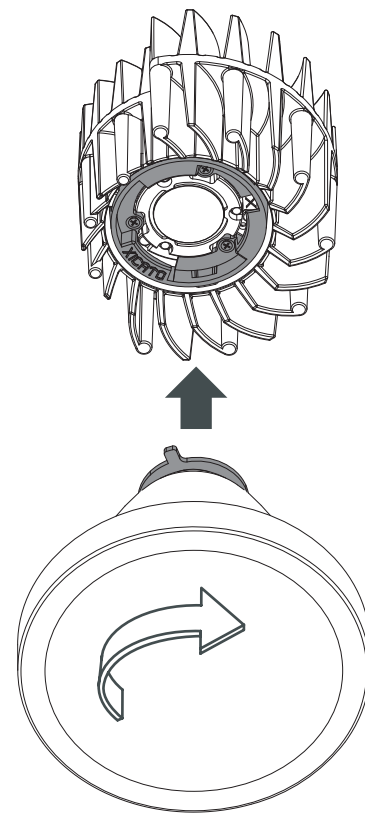
flood reflector Ø 110

KR720034

wide flood reflector Ø 110

KR720036

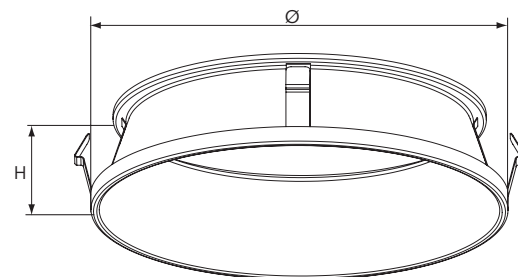
1 dimensions



2 installation

install the reflector on the LED module. the reflector is fixed by turning it on the LED, underneath the bajonet ring

technics



Name

Louvre oblique

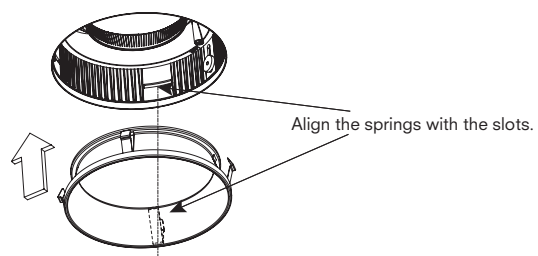
Reference

KR71722X /KR7170X

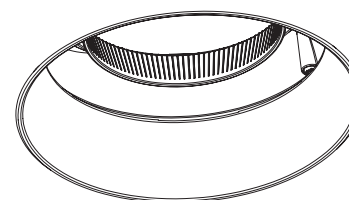
Ø x H

164 x 38

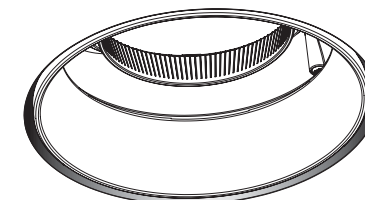
1 dimensions



Insert the louvre in the plasterkitbox.



Result without shadow gap, when plasterkit box KR717204 is used.



Result with shadow gap, when plasterkit box KR717208 is used.

2 installation