

**hover**info@boverusa.com  
www.boverusa.com**Mos - 01**

Name: Mos - 01

Design: Joana Bover / 2008

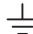



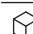



Typology: Pendant lamp

Environment: Indoor

Technical description:

Pendant lamp releasing diffused light through a translucent shade of hand wrapped polyester blend ribbon. Light passes through a white opal glass diffuser, with white, cream or red translucent, hand wrapped polyester blend ribbon options for the shade. The iron structure has a satin nickel finish, available with a transparent PVC wire connection, as well as adjustable or safety tensor wires. Various tensor wires are available. Larger formats are available.

## Lamps description

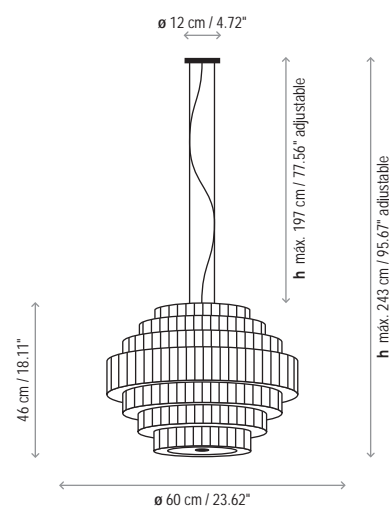
	Grounding: compulsory
	3 x 60 W E26 A15 INC
	3 x 5 W E26 A15 LED
	3 x 14 W E26 Triple CFL
Voltage: 120V~60Hz	
	1 Box 23.62 x 23.62 x 19.69 inches
Vol.: 6.3566 ft <sup>3</sup>	
Weight: 17.64 lbs	
Certifications:  	
	Photometrics made according to the position the lights are shown in the catalogue and price list.

## Ref      Finishings

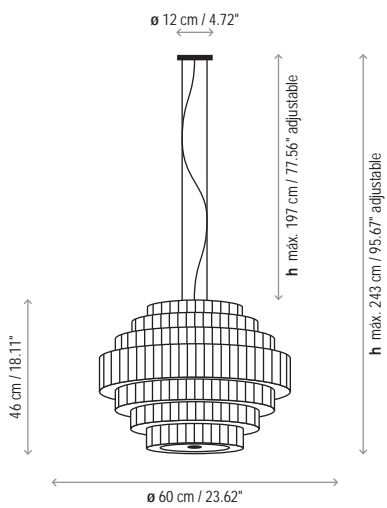
224P617U	White Translucent Ribbon
224P618U	Cream Translucent Ribbon
224P619U	Red Translucent Ribbon
White opal glass diffuser included	
Satin nickel	
Transparent connection	
Adjustable tensor wire	
Safety tensor wire	
Customizable	



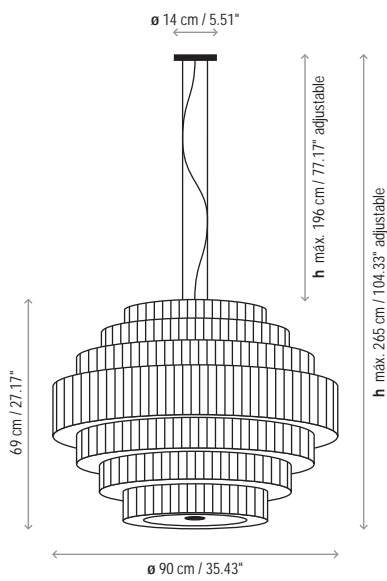
## Measures



Mos - 01



Mos - 02



Mos - 03

