

MABELL A2

Design by: Manuel Vivian

MASIERO



Struttura in poliuretano espanso, diffusore in metacrilato opaco con finitura cromata. Illuminazione LED.

Frame made of expanded polyurethane foam, matt chromed finished methacrylate diffuser. LED lighting system.

Struktur aus Polyurethanschaumstoff, Lichtdiffusor aus matt verchromt gefärbtem Methacrylat. LED-Beleuchtung.

Structure en polyuréthane expansé, diffuseur en méthacrylate chrome mat. LED éclairage.

Каркас из пенополиуретана, рассеиватель из матового метакрилата с отделкой хромом. Светодиодное освещение

CE 

H 21,5 cm / 8,46"

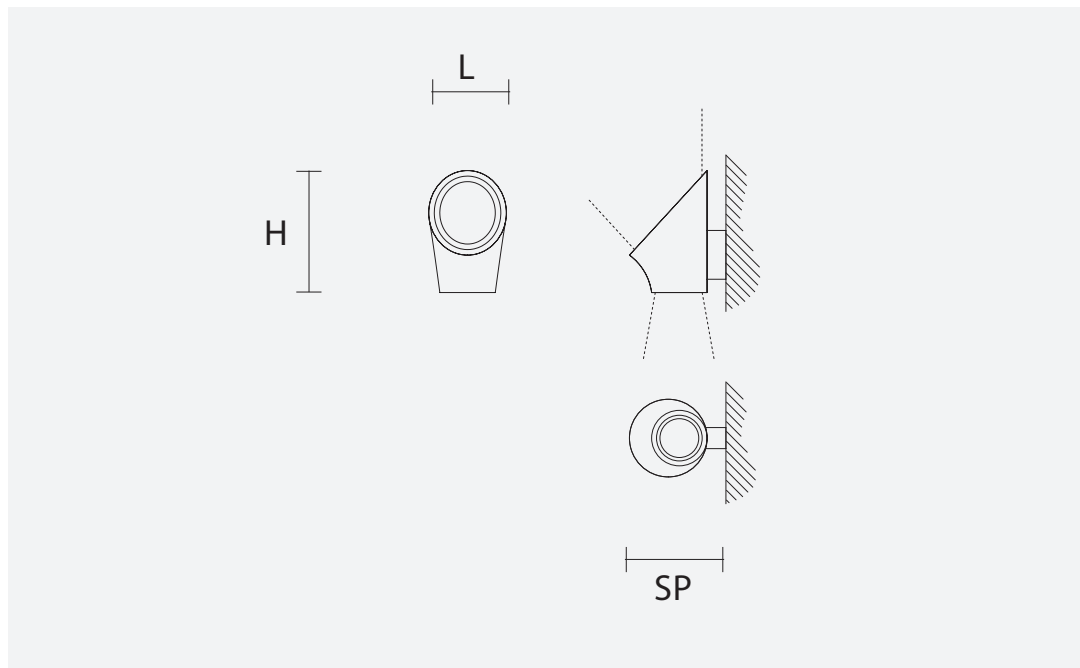
L 15 cm / 5,51"

SP 16,5 cm / 5,90"

UP LED x 3 W CRI>80
3000 K - 450 lm

DOWN LED x 3 W CRI>80
3000 K - 450 lm

Dimmable: 1-10V + PUSH



* "UL" logo refers to articles which can be modified with UL-compliant components. The "UL" listing mark stands for tested and evaluated product to recognized us safety standards.