

# Heathfield&Co

## Product Specification Sheet

FLOOR LAMP | RONNI



### PRODUCT INFORMATION

Base Code: FL-RONN-ABRS-WLNT

Material: Metal & Wood

Finish shown: Walnut

Lampshade: 18" Coolie / SH-18-COOL

Flex: UK & EU 1.5 metres of Black twisted flex /  
US Black PVC flex

### TECHNICAL INFORMATION

Weight: 4.5kg / 10lbs

Plug: Black 13amp UK plug /

Black Schuko EU plug / Black US polarised plug

Switching: Black foot switch

Lamping: 1x E27 lampholder / 1x E26 US lampholder  
80W max. LED lamps recommended.

Lamps not included

BASE HEIGHT: 1375 mm / 54"

TOTAL HEIGHT: 1605 mm / 63"

BASE WIDTH: 275 mm / 10<sup>3/4</sup>"

SHADE WIDTH: 460 mm / 18"

UKCA / CE / UL COMPLIANT

### WARRANTY

10 years\*

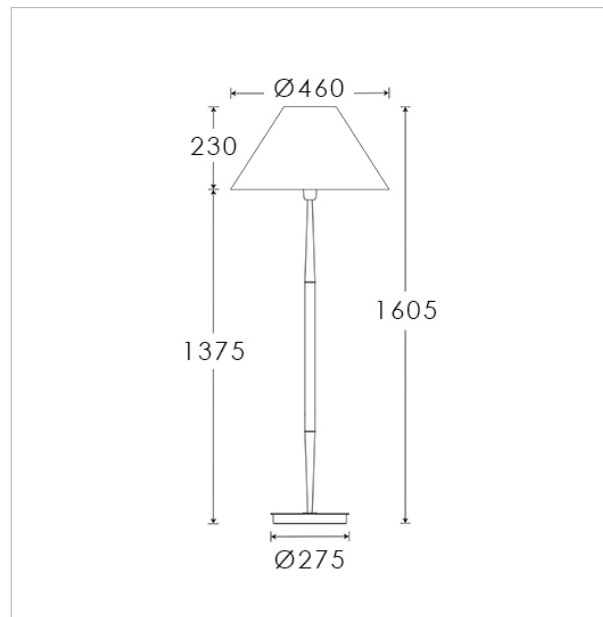
### FINISHING NOTE

Wood, as a natural material, presents distinctly unique grain, patterning and colouration. We use hand applied finishes and leafing and as such, it is part of the charm that no two products are exactly the same.

### CLEANING INSTRUCTIONS

The finishes on this luminaire only require regular cleaning with a soft dry duster. Abrasive or chemical cleaners may harm the finish and should not be used. Shade to be dusted with a clean dry cloth.

\*Please refer to our Terms & Conditions for further information.



H&  
CO

LIGHT BEYOND DESIGN